



Advanced Technology. Simple Solutions.

PANELBOARD ENCLOSURE - TYPE 4X

SPE4X

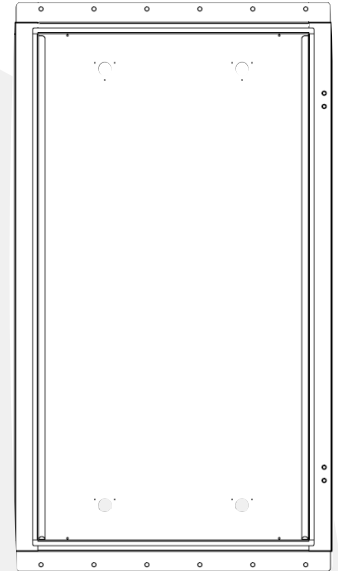
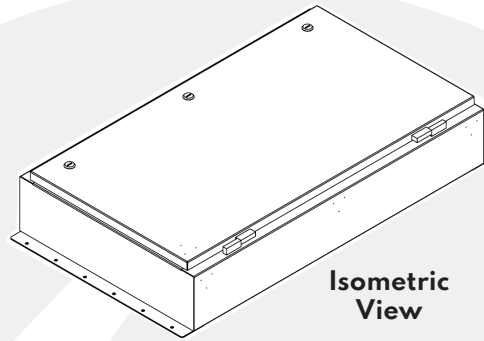
This family of enclosures is specifically designed to house the Schneider® NQ and NF main breaker and main lug panelboard for use in locations requiring waterproof and corrosion protection. The panelboard is housed in the enclosure with the trim included inside the sealed outer door.

Features / Specifications

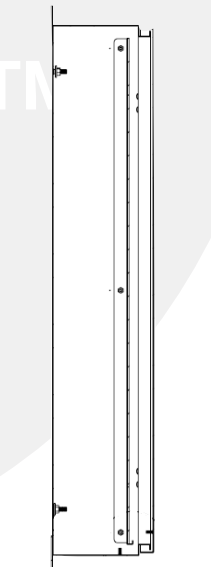
- CSA Type 4X rated
- Stainless steel construction
- Quarter-turn fastener(s) on door
- Gasketed hinged outer door with padlock attachment

Options

- Drains and breathers
- Custom powder coat colours



Front View
(Lid Removed)



Side View
(Lid Removed)

PART NUMBER	DESCRIPTION - ACCOMMODATES PANELBOARD TYPES:	HEIGHT	WIDTH	DEPTH
SPE4X-28-24-6.5	Main Breaker NF - 18 cct, 110A, 3-Phase, 4 Wire	28 in	24 in	6.5 in
	Main Lug NQ - 18 cct, 100A, Single-Phase, 3 Wire	28 in	24 in	6.5 in
	Main Lug NQ - 18 cct, 100A, 3-Phase, 4 Wire	28 in	24 in	6.5 in
	Main Lug NF - 18 cct, 125A, 3-Phase, 4 Wire	28 in	24 in	6.5 in
SPE4X-34-24-6.5	Main Breaker NF - 30 cct, 110A, 3-Phase, 4 Wire	34 in	25	6.5 in
	Main Lug NQ - 30 cct, 100A, Single-Phase, 3 Wire	34 in	24 in	6.5 in
	Main Lug NQ - 30 cct, 225A, Single-Phase, 3 Wire	34 in	24 in	6.5 in
	Main Lug NQ - 30 cct, 100A, 3-Phase, 4 wire	34 in	24 in	6.5 in
	Main Lug NF - 30 cct, 125A, 3-Phase, 4 Wire	34 in	24 in	6.5 in
	Main Lug NQ - 30 cct, 225A, 3-Phase, 4 Wire	34 in	24 in	6.5 in
SPE4X-40-24-6.5	Main Breaker NQ - 18 cct, 100A, Single-Phase, 3 Wire	40 in	24 in	6.5 in
	Main Breaker NQ - 18 cct, 100A, 3-Phase, 4 Wire	40 in	24 in	6.5 in
	Main Breaker NF - 18 cct, 100A, 3-Phase, 4 Wire	40 in	24 in	6.5 in
	Main Lug NQ - 42 cct, 225A, Single-Phase, 3 Wire	40 in	24 in	6.5 in
	Main Lug NQ - 42 cct, 225A, 3-Phase, 4 Wire	40 in	24 in	6.5 in
SPE4X-46-24-6.5	Main Breaker NQ - 30 cct, 100A, Single-Phase, 3 Wire	46 in	24 in	6.5 in
	Main Breaker NQ - 30 cct, 225A, Single-Phase, 3 Wire	46 in	24 in	6.5 in
	Main Breaker NQ - 30 cct, 100A, 3-Phase, 4 Wire	46 in	24 in	6.5 in
	Main Breaker NF - 30 cct, 100A, 3-Phase, 4 Wire	46 in	24 in	6.5 in
	Main Breaker NQ - 30 cct, 225A, 3-Phase, 4 Wire	46 in	24 in	6.5 in
	Main Lug NQ - 72 cct, 225A, Single-Phase, 3 wire	46 in	24 in	6.5 in
	Main Lug NQ - 72 cct, 225A, 3-Phase, 4 Wire	46 in	24 in	6.5 in
	Main Lug NF - 42 cct, 250A, 3-Phase, 4 Wire	46 in	24 in	6.5 in

Table continued on the next page.



Advanced Technology. Simple Solutions.

PART NUMBER	DESCRIPTION - ACCOMMODATES PANELBOARD TYPES:	HEIGHT	WIDTH	DEPTH
SPE4X-52-24-6.5	Main Breaker NQ - 42 cct, 225A, Single-Phase, 3 Wire	52 in	24 in	6.5 in
	Main Breaker NQ - 42 cct, 225A, 3-Phase, 4 Wire	52 in	24 in	6.5 in
	Main Breaker NF - 30 cct, 250A, 3-Phase, 4 Wire	52 in	24 in	6.5 in
	Main Lug NQ - 84 cct, 225A, Single-Phase, 3 Wire	52 in	24 in	6.5 in
	Main Lug NQ - 30 cct, 400A, Single-Phase, 3 Wire	52 in	24 in	6.5 in
	Main Lug NQ - 42 cct, 400A, Single-Phase, 3 Wire	52 in	24 in	6.5 in
	Main Lug NQ - 84 cct, 225A, 3-Phase, 4 Wire	52 in	24 in	6.5 in
	Main Lug NQ - 30 cct, 400A, 3-Phase, 4 Wire	52 in	24 in	6.5 in
	Main Lug NQ - 30 cct, 400A, 3-Phase, 4 Wire	52 in	24 in	6.5 in
	Main Lug NQ - 42 cct, 400A, 3-Phase, 4 Wire	52 in	24 in	6.5 in
	Main Lug NF - 30 cct, 400A, 3-Phase, 4 Wire	52 in	24 in	6.5 in
	Main Lug NF - 30 cct, 600A, 3-Phase, 4 Wire	52 in	24 in	6.5 in
	SPE4X-58-24-6.5	Main Breaker NQ - 72 cct, 225A, Single-Phase, 3 Wire	58 in	24 in
Main Breaker NQ - 72 cct, 225A, 3-Phase, 4 Wire		58 in	24 in	6.5 in
Main Breaker NF - 42 cct, 250A, 3-Phase, 4 Wire		58 in	24 in	6.5 in
Main Lug NF - 42 cct, 600A, 3-Phase, 4 Wire		58 in	24 in	6.5 in
SPE4X-64-24-6.5	Main Breaker NQ - 84 cct, 225A, Single-Phase, 3 Wire	64 in	24 in	6.5 in
	Main Breaker NQ - 30 cct, 400A, Single-Phase, 3 Wire	64 in	24 in	6.5 in
	Main Breaker NQ - 42 cct, 400A, Single-Phase, 3 Wire	64 in	24 in	6.5 in
	Main Breaker NQ - 84 cct, 225A, 3-Phase, 4 Wire	64 in	24 in	6.5 in
	Main Breaker NQ - 30 cct, 400A, 3-Phase, 4 Wire	64 in	24 in	6.5 in
	Main Breaker NQ - 42 cct, 400A, 3-Phase, 4 Wire	64 in	24 in	6.5 in
	Main Breaker NF - 30 cct, 400A, 3-Phase, 4 Wire	64 in	24 in	6.5 in
	Main Lug NQ - 72 cct, 400A, 3-Phase, 4 Wire	64 in	24 in	6.5 in
	Main Lug NQ - 30 cct, 600A, 3-Phase, 4 Wire	64 in	24 in	6.5 in
	Main Lug NQ - 42 cct, 600A, 3-Phase, 4 Wire	64 in	24 in	6.5 in
	Main Lug NF - 66 cct, 250A, 3-Phase, 4 Wire	64 in	24 in	6.5 in
SPE4X-70-24-6.5	Main Breaker NF - 42 cct, 400A, 3-Phase, 4 Wire	70 in	24 in	6.5 in
	Main Lug NQ - 84 cct, 400A, Single-Phase, 3 Wire	70 in	24 in	6.5 in
	Main Lug NQ - 84 cct, 400A, 3-Phase, 4 Wire	70 in	24 in	6.5 in
SPE4X-76-24-6.5	Main Breaker NQ - 72 cct, 400A, 3-Phase, 4 Wire	76 in	24 in	6.5 in
	Main Breaker NF - 66 cct, 250A, 3-Phase, 4 Wire	76 in	24 in	6.5 in
	Main Lug NF - 66 cct, 400A, 3-Phase, 4 Wire	76 in	24 in	6.5 in
	Main Lug NF - 66 cct, 600A, 3-Phase, 4 Wire	76 in	24 in	6.5 in
SPE4X-82-24-6.5	Main Breaker NQ - 84 cct, 400A, 3-Phase, 4 Wire	82 in	24 in	6.5 in
	Main Lug NQ - 84 cct, 600A, 3-Phase, 4 Wire	82 in	24 in	6.5 in

Note - These enclosures are to house the Schneider® NQ and NF main breaker and main lug panelboards.