



Advanced Technology. Simple Solutions.

PADMOUNT BC HYDRO METERING PEDESTALS

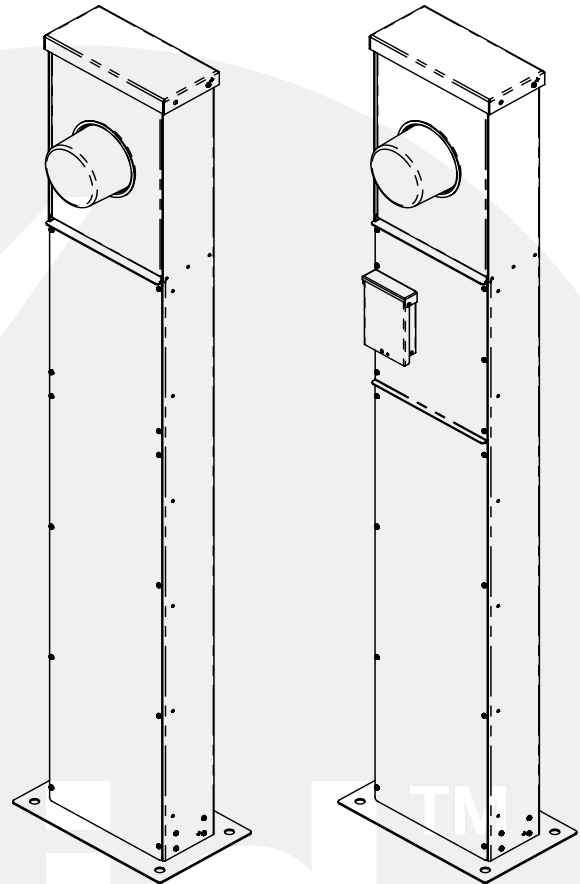
BCP-PM

Features / Specifications

- Galvanized steel construction
- CSA Type 3R rated
- Padmount design
- Padlockable main breaker cover (where required)
- PC101 (ANSI 61) Grey powder coat finish
- Service entrance rated
- Compliant with BCH metering standards
- BCH-approved meter base
- Ground lug
- Single phase 3 wire 120/240VAC 10kAIC rated

Options

- Custom powder coat colours
- 50A - 200A 2P main breaker
- Low voltage section
- Template and 4 anchor bolts, nuts and washers
 - (P/N: PAB-BCP50-200)
 - (P/N: PAB-BCP-LV50-200)



BCP-PM

BCP-PM-200

PART NUMBER	AMPS	HEIGHT	WIDTH	DEPTH	METER BASE	MAIN BREAKER	LOW VOLTAGE SECTION
BCP-PM	200	75 in	12 in	5 in	200A 4JAW	NONE	NO
BCP-PM-50	50	75 in	12 in	5 in	200A 4JAW	50A 2P	NO
BCP-PM-100	100	75 in	12 in	5 in	200A 4JAW	100A 2P	NO
BCP-PM-200	200	75 in	12 in	5 in	200A 4JAW	200A 2P	NO
BCP-LV-PM-50	50	68 in	18 in	14 in	200A 4JAW	50A 2P	YES
BCP-LV-PM-100	100	68 in	18 in	14 in	200A 4JAW	100A 2P	YES
BCP-LV-PM-200	200	68 in	18 in	14 in	200A 4JAW	200A 2P	YES