



Advanced Technology. Simple Solutions.

250A SINGLE PHASE CAMPGROUND DISTRIBUTION CENTER

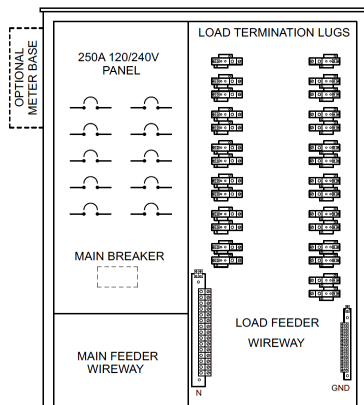
CGA1-250

The CGA1-250-240 Campground Distribution Center is a free standing, all encompassing, pad mount enclosure used primarily for power distribution in campgrounds. The weather proof design is ideal for outdoor use. Standard PC113 parks green powder coat paint provides a durable finish.



Features/Specifications

- Steel construction
- CSA Type 3R rated
- 2 pole main breaker with lock off
- Service entrance rated main breaker
- 10kAIC rated bolt-on breakers
- Louvers with bug screen
- Pad lockable 3 point handle
- Standard 120/240V single phase
- Removable lifting ears
- 250MCM - #6 load termination lugs
- Complete factory wiring to load termination lugs
- Ground bar with lugs for grounding circuits
- Pad mount design
- PC113 Parks Green powder coat finish



Options

- Photocell & HOA
- Service receptacle
- Lighting control
- 100% rated main breaker
- Sub-breakers as required
- Meter base
- Heater & thermostat
- Cooling fan & controls
- Up to 22kAIC sub-breakers
- Distribution lugs up to 600MCM
- Custom powder coat colours

PART NUMBER	CIRCUIT	DIMENSIONS		
		H	W	D
CGA1-250-240-18-QT	18	48"	36"	12"
CGA1-250-240-30-QT	30	48"	48"	16"
CGA1-250-240-42-QT	42	60"	60"	18"

*Maximum dimensions shown. Fewer lugs may enable a smaller enclosure.

Rev-1.2