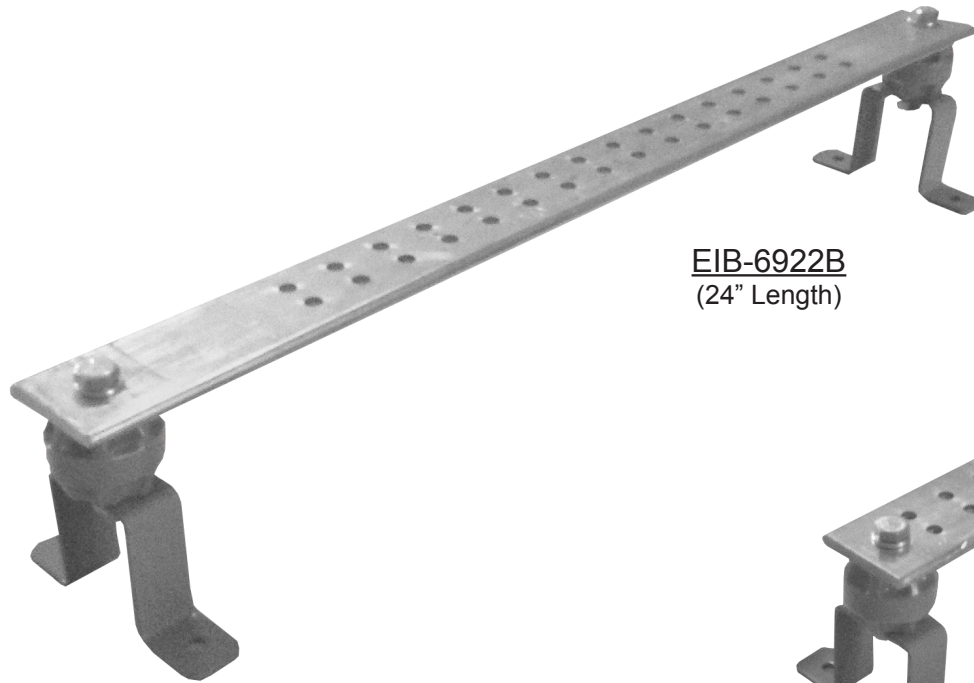




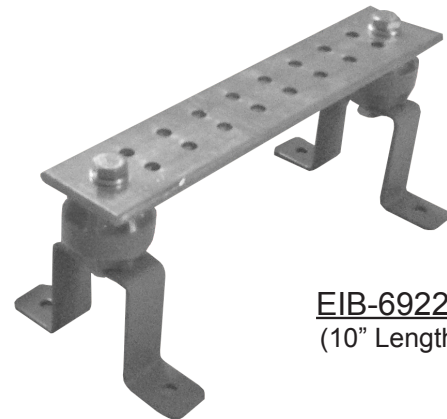
Advanced Technology. Simple Solutions.

GROUNDING BAR KITS

EIB



EIB-6922B
(24" Length)



EIB-6922A
(10" Length)

Features/Specifications

- Available in 10" or 24" Lengths
- 2" Wide by 1/4" Thick tinned copper flat bus bar
- 9/32" holes in bus bar, drilled, not tapped (16 holes in 10" / 32 holes in 24")
- Steel mounting brackets
- 600V Insulated standoffs
- Bolts and lock washers on standoffs

Rev 1.0