



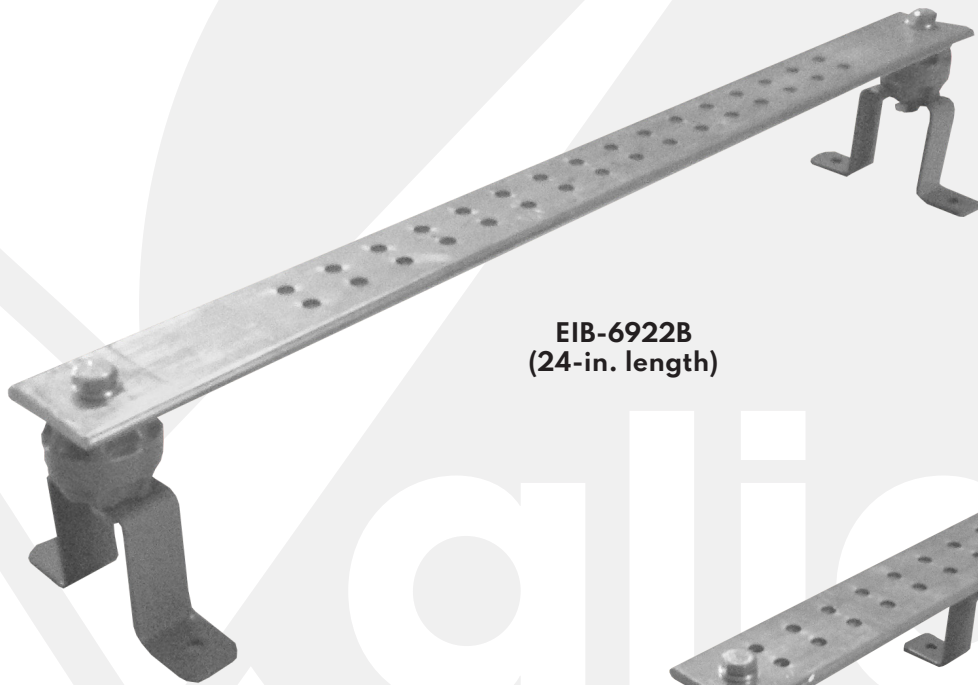
Advanced Technology. Simple Solutions.

GROUNDING BAR KITS

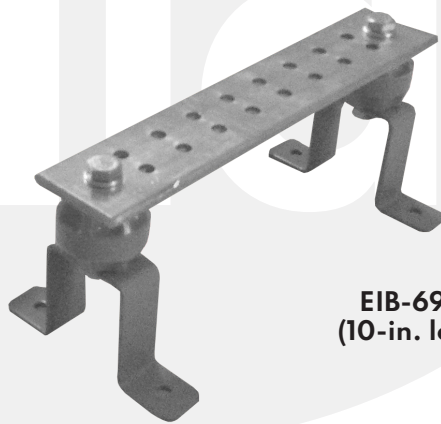
EIB

Features / Specifications

- Available in 10-in. or 24-in. lengths
- 2 in. wide by 1/4 in. thick tinned-copper flat bus bar
- 9/32 in holes in bus bar, drilled, not tapped (16 holes in 10-in. / 32 holes in 24-in.)
- Steel mounting brackets
- 600V insulated standoffs
- Bolts and lock washers on standoffs



EIB-6922B
(24-in. length)



EIB-6922A
(10-in. length)