



Advanced Technology. Simple Solutions.

ELECTRIC VEHICLE CHARGE PEDESTAL WITH WHILE-IN-USE COVER

EVCSF

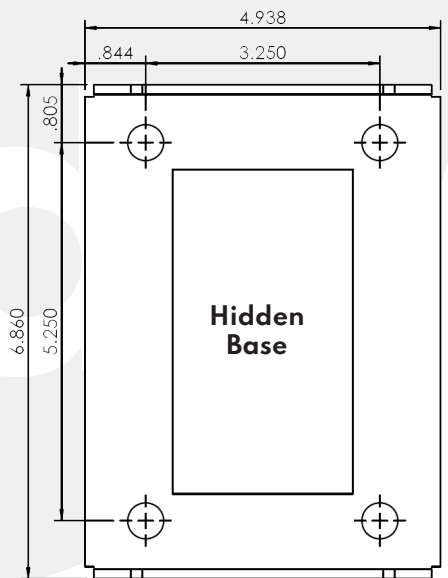
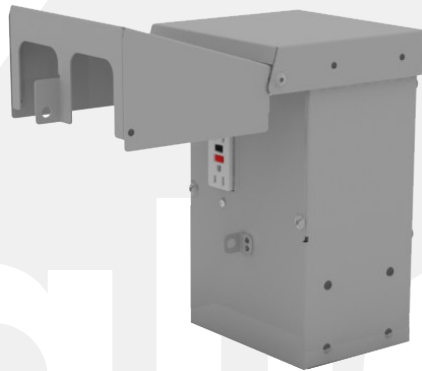
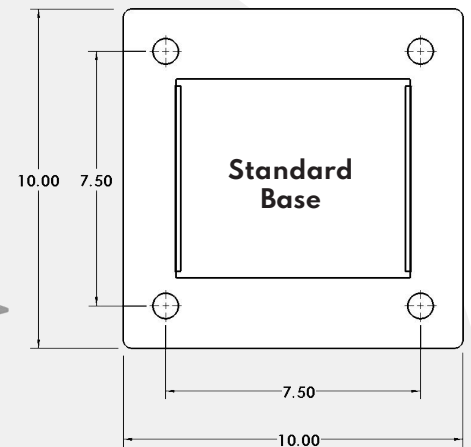
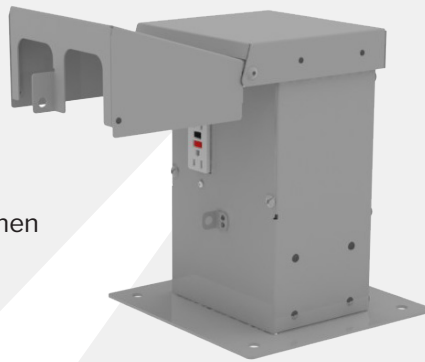
The EVCSF is a compact, all-encompassing pedestal used for supplying power to electric vehicles in parking lot applications. This product family includes branch-rated breakers and receptacles with while-in-use cover. Standard PC101 Grey powder coat paint provides a durable finish.

Features / Specifications

- Galvanized steel construction
- CSA Type 3R rated
- Complies with Rule 86-306 of the CEC
- 12 in. (H) for mounting on raised base
- Pad-mount base standard
- 10kAIR branch rated breaker protection when required
- While-in-use flip lid cover
- PC101 Grey powder coat finish
- Ground lug
- Hidden base (add -H to the part number)

Options

- Additional receptacle configurations
- Template and 4 anchor bolts, nuts and washers (P/N: PAB-EVCS)
- Key-locking receptacles
- Individual power metering
- Custom heights
- Power distribution blocks for #14-2/0
- Marine-grade aluminum construction
- Custom powder coat colours



PART #		RECEPTACLES		BREAKERS	
STANDARD BASE	HIDDEN BASE	QTY	TYPE	QTY	TYPE
EVCSF1	EVCSF1-H	1	20A GFI SINGLE	0	--
EVCSF2	EVCSF2-H	1	20A GFI SINGLE	1	20A 1P
EVCSF3	EVCSF3-H	2	20A GFI SINGLE	2	20A 1P
EVCSF4	EVCSF4-H	1	5-30R 125V	0	---
EVCSF5	EVCSF5-H	1	5-30R 125V	1	30A 1P
EVCSF6	EVCSF6-H	2	5-30R 125V	2	30A 1P
EVCSF7	EVCSF7-H	2	6-30R 250V	0	--
EVCSF8	EVCSF8-H	1	6-30R 250V	1	30A 2P
EVCSF9	EVCSF9-H	2	6-30R 250V	2	30A 2P