

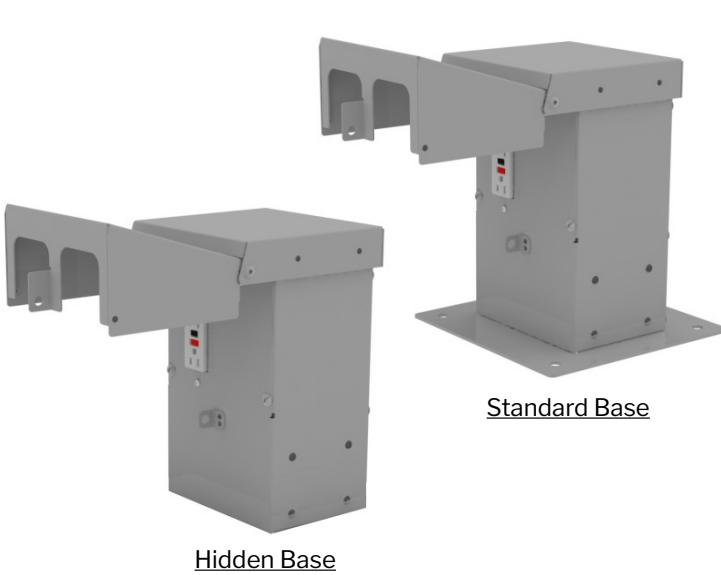


Advanced Technology. Simple Solutions.

ELECTRIC VEHICLE CHARGE PEDESTAL WITH WHILE-IN-USE COVER

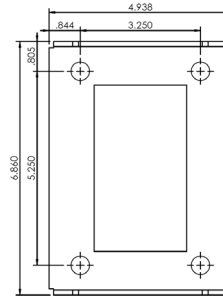
EVCSF

The EVCSF is a compact all encompassing pedestal used for supplying power to electric vehicles in parking lot applications. This product family includes branch rated breakers and receptacles with while in use cover. Standard PC101 Grey powder coat paint provides a durable finish.

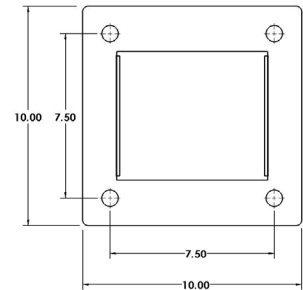


Hidden Base

Standard Base



Hidden Base



Standard Base

Features/Specifications

- Galvanized steel construction
- CSA Type 3R rated
- Complies with Rule 86-306 of the CEC
- 12"H for mounting on raised base
- Padmount base standard
- 10kAIR branch rated breaker protection when required
- While-In-Use flip lid cover
- PC101 Grey finish
- Ground lug
- Hidden base (add -H to the part number)

Optional Items

- Additional receptacle configurations
- Template and 4 anchor bolts, nuts & washers (P/N: PAB-EVCS)
- Key locking receptacles
- Individual power metering
- Custom heights
- Power distribution blocks for #14-2/0
- Marine grade aluminum construction
- Custom powder coat colours

PART #		RECEPTACLES		BREAKERS	
STANDARD BASE	HIDDEN BASE	QTY	TYPE	QTY	TYPE
EVCSF1	EVCSF1-H	1	20A GFI SINGLE	0	--
EVCSF2	EVCSF2-H	1	20A GFI SINGLE	1	20A 1P
EVCSF3	EVCSF3-H	2	20A GFI SINGLE	2	20A 1P
EVCSF4	EVCSF4-H	1	5-30R 125V	0	---
EVCSF5	EVCSF5-H	1	5-30R 125V	1	30A 1P
EVCSF6	EVCSF6-H	2	5-30R 125V	2	30A 1P
EVCSF7	EVCSF7-H	2	6-30R 250V	0	--
EVCSF8	EVCSF8-H	1	6-30R 250V	1	30A 2P
EVCSF9	EVCSF9-H	2	6-30R 250V	2	30A 2P

Rev 1.0