



ELECTRIC VEHICLE CHARGE PEDESTAL WITH WHILE-IN-USE COVER

EVCSF

The EVCSF is a compact all encompassing pedestal used for supplying power to electric vehicles in parking lot applications. This product family includes branch rated breakers and receptacles with while in use cover. Standard PC101 Grey powder coat paint provides a durable finish.

Features/Specifications

- Galvanized steel construction
- CSA Type 3R rated
- Complies with Rule 86-306 of the CEC
- 12"H for mounting on raised base
- Padmount base standard
- 10kAIR branch rated breaker protection when required
- While-In-Use flip lid cover
- PC101 Grey finish
- Ground lug
- Hidden base (add -H to the part number)

Optional Items

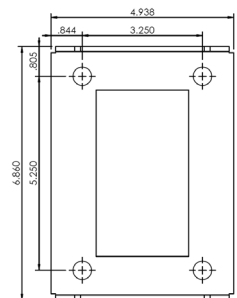
- Additional receptacle configurations
- Template and 4 anchor bolts, nuts & washers (P/N: PAB-EVCS)
- Key locking receptacles
- Individual power metering
- Custom heights
- Power distribution blocks for #14-2/0
- Marine grade aluminum construction
- Custom powder coat colours



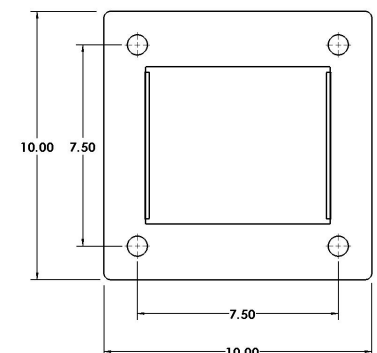
Standard Base

Hidden Base

Product not exactly as shown



Hidden Base



Standard Base

| PART NUMBER | | RECEPTACLES | | BREAKERS | |
|---------------|-------------|-------------|----------------|----------|--------|
| STANDARD BASE | HIDDEN BASE | QTY | TYPE | QTY | TYPE |
| EVCSF1 | EVCSF1-H | 1 | 20A GFI SINGLE | 0 | -- |
| EVCSF2 | EVCSF2-H | 1 | 20A GFI SINGLE | 1 | 20A 1P |
| EVCSF3 | EVCSF3-H | 2 | 20A GFI SINGLE | 2 | 20A 1P |
| EVCSF4 | EVCSF4-H | 1 | 5-30R 125V | 0 | --- |
| EVCSF5 | EVCSF5-H | 1 | 5-30R 125V | 1 | 30A 1P |
| EVCSF6 | EVCSF6-H | 2 | 5-30R 125V | 2 | 30A 1P |
| EVCSF7 | EVCSF7-H | 2 | 6-30R 250V | 0 | -- |
| EVCSF8 | EVCSF8-H | 1 | 6-30R 250V | 1 | 30A 2P |
| EVCSF9 | EVCSF9-H | 2 | 6-30R 250V | 2 | 30A 2P |