



Advanced Technology. Simple Solutions.

IPLC PARKING LOT PEDESTAL WITH WHILE-IN-USE COVER

EVEF-IPLC

This family of parking lot pedestals are a convenient way to distribute power in parking lot applications using the IPLC parking lot controller. The galvanized steel body construction provides additional corrosion resistance.



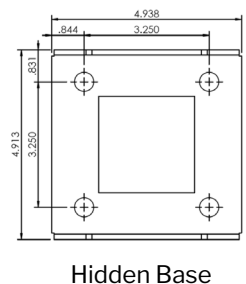
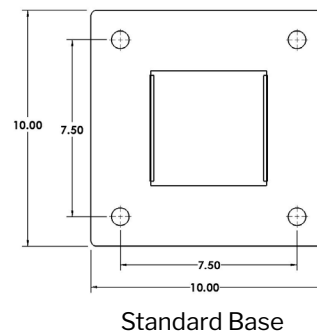
Features/Specifications

- Galvanized steel construction
- CSA Type 3R rated
- 30" high, for mounting on solid bases
- Padmount base standard
- IPLC parking lot controllers
- Mini breaker protection where required
- While-In-Use flip lid cover
- PC 101 Grey powder coat finish
- Ground lug
- Hidden base (add -H to the part number)

Optional Items

- Custom heights
- Template and 4 anchor bolts, nuts & washers (P/N: PAB-EVE)
- Marine grade aluminum construction
- 8" Base plate
- Custom powder coat colours

PART # (standard base)	PART # (hidden base)	RECEPTACLES	MINI BREAKERS
EVEF2-IPLC	EVEF2-H-IPLC	1-15A Duplex Split	NONE
EVEF4-IPLC	EVEF4-H-IPLC	1-15A Duplex Split	2-15A
EVEF6-IPLC	EVEF6-H-IPLC	2-15A Duplex Split	NONE
EVEF8-IPLC	EVEF8-H-IPLC	2-15A Duplex Split	4-15A



Rev 1.0