



Advanced Technology. Simple Solutions.

SHORT IPLC PARKING LOT PEDESTAL WITH WHILE-IN-USE COVER

EVESF-IPLC

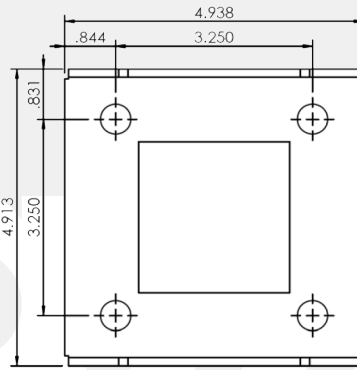
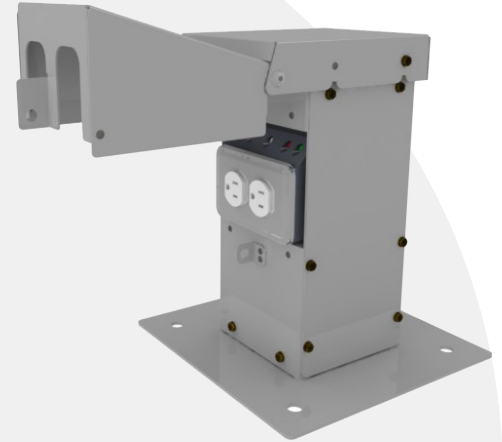
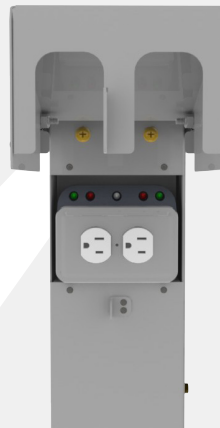
This family of parking lot pedestals is a convenient way to distribute power in parking lot applications using the IPLC parking lot controller. The galvanized steel body construction provides additional corrosion resistance.

Features / Specifications

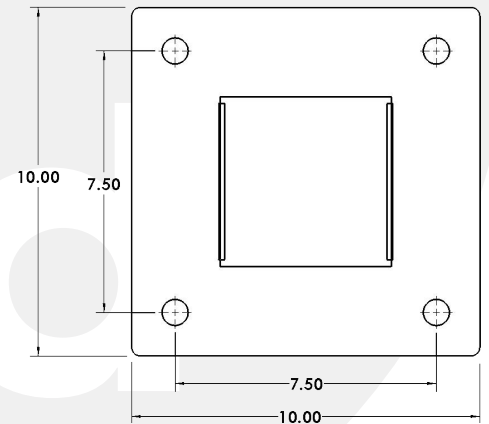
- Galvanized steel construction
- CSA Type 3R rated
- 12 in. high, for mounting on raised bases
- Pad-mount base standard
- IPLC parking lot controllers
- Mini-breaker protection where required
- While-in-use flip lid cover
- PC101 Grey powder coat finish
- Ground lug
- Hidden base (add -H to the part number)

Options

- Custom heights
- Template and 4 anchor bolts, nuts, and washers (P/N: PAB-EVES)
- Marine-grade aluminum construction
- 8-in base plate
- Custom powder coat colours



Hidden Base



Standard Base

PART # (STANDARD BASE)	PART # (HIDDEN BASE)	RECEPTACLES	MINI BREAKERS
EVESF2-IPLC	EVESF2-H-IPLC	1-15A Duplex Split	NONE
EVESF4-IPLC	EVESF4-H-IPLC	1-15A Duplex Split	2-15A
EVESF6-IPLC	EVESF6-H-IPLC	2-15A Duplex Split	NONE
EVESF8-IPLC	EVESF8-H-IPLC	2-15A Duplex Split	4-15A