

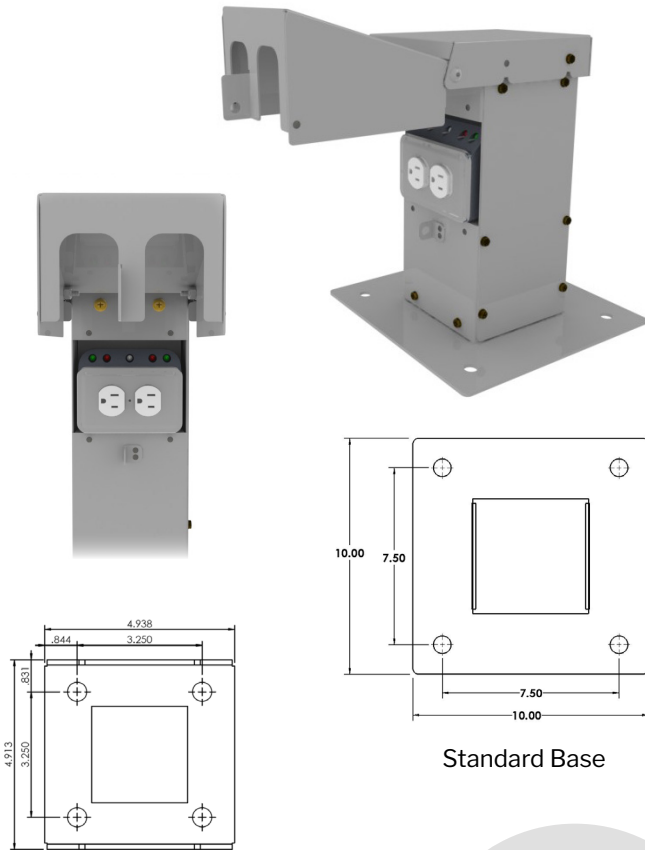


Advanced Technology. Simple Solutions.

SHORT IPLC PARKING LOT PEDESTAL WITH WHILE-IN-USE COVER

EVESF-IPLC

This family of parking lot pedestals are a convenient way to distribute power in parking lot applications using the IPLC parking lot controller. The galvanized steel body construction provides additional corrosion.



Hidden Base

Standard Base

Features/Specifications

- Galvanized steel construction
- CSA Type 3R rated
- 12" high, for mounting on raised bases
- Padmount base standard
- IPLC parking lot controllers
- Mini breaker protection where required
- While-In-Use flip lid cover
- PC 101 Grey powder coat finish
- Ground lug
- Hidden base (add -H to the part number)

Optional Items

- Custom heights
- Template and 4 anchor bolts, nuts & washers (P/N: PAB-EVES)
- Marine grade aluminum construction
- 8" Base plate
- Custom powder coat colours

PART # (standard base)	PART # (hidden base)	RECEPTACLES	MINI BREAKERS
EVESF2-IPLC	EVESF2-H-IPLC	1-15A Duplex Split	NONE
EVESF4-IPLC	EVESF4-H-IPLC	1-15A Duplex Split	2-15A
EVESF6-IPLC	EVESF6-H-IPLC	2-15A Duplex Split	NONE
EVESF8-IPLC	EVESF8-H-IPLC	2-15A Duplex Split	4-15A

Rev 1.0