



Advanced Technology. Simple Solutions.

REFLECTIVE HEAVY DUTY PARKING LOT PEDESTAL WITH WHILE-IN-USE COVER

EVGSF

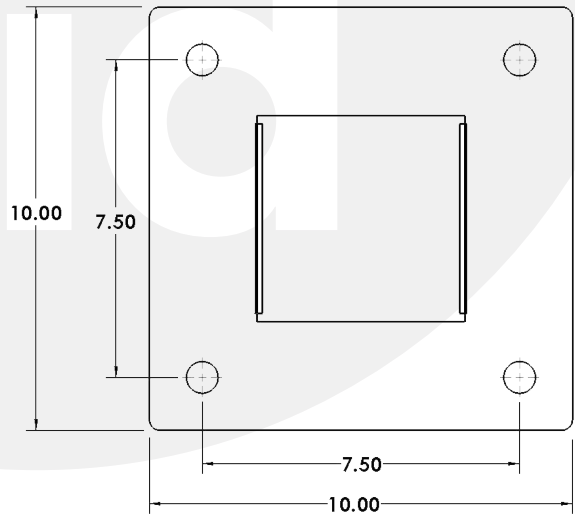
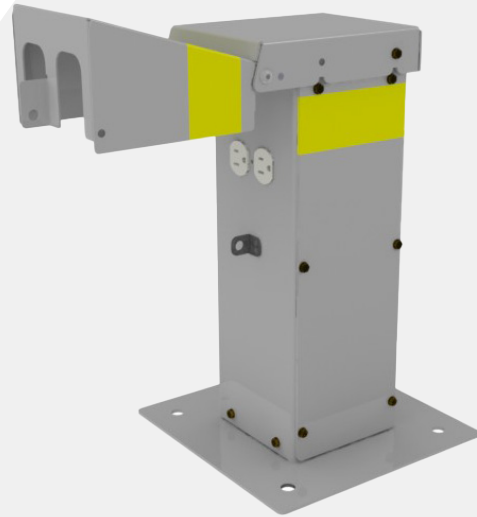
This family of parking lot pedestals is a heavy duty design with a reflective strip to distribute power in parking lot applications. The galvanized steel body construction provides additional corrosion resistance. Multiple mini-breaker, receptacle, and mounting configurations are available to suit a wide variety of applications.

Features / Specifications

- 12-gauge galvanized steel construction
- CSA Type 3R rated
- 16 in. high, for mounting on raised base
- 2-in. fluorescent strip
- 10 in. x 10 in., 10-gauge pad-mount base
- Mini-breaker protection where required
- While-in-use flip lid cover
- PC101 Grey powder coat finish
- Ground lug

Options

- Custom heights
- Template and 4 anchor bolts, nuts, and washers (P/N: PAB-EVGS)
- 15/20A or GFI receptacles
- Marine-grade aluminum construction
- Custom powder coat colors



Standard Base Dimensions

PART NUMBER STANDARD BASE	RECEPTACLES	MINI BREAKERS
EVGSF1	1-15A Duplex	NONE
EVGSF2	1-15A Duplex Split	NONE
EVGSF3	1-15A Duplex	1-15A
EVGSF4	1-15A Duplex Split	2-15A
EVGSF5	2-15A Duplex	NONE
EVGSF6	2-15A Duplex Split	NONE
EVGSF7	2-15A Duplex	2-15A
EVGSF8	2-15A Duplex Split	4-15A
EVGSF9	3-15A Duplex	NONE
EVGSF10	4-15A Duplex	NONE
EVGSF11	3-15A Duplex	3-15A
EVGSF12	4-15A Duplex	4-15A