



Advanced Technology. Simple Solutions.

# REFLECTIVE HEAVY DUTY PARKING LOT PEDESTAL WITH WHILE-IN-USE COVER

## EVGSF

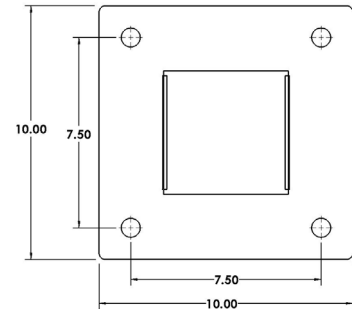
This family of parking lot pedestal is a heavy duty design with reflective strip to distribute power in parking lot applications. The galvanized steel body construction provides additional corrosion resistance. Multiple mini-breaker, receptacle and mounting configurations allows for ease of use for many applications.

### Features/Specifications

- 12 Gauge galvanized steel construction
- CSA Type 3R rated
- 16"H, for mounting on raised base
- 2" fluorescent strip
- 10" x10" - 10 gauge padmount base
- Mini breaker protection where required
- While-In-Use flip lid cover
- PC 101 Grey powder coat finish
- Ground lug

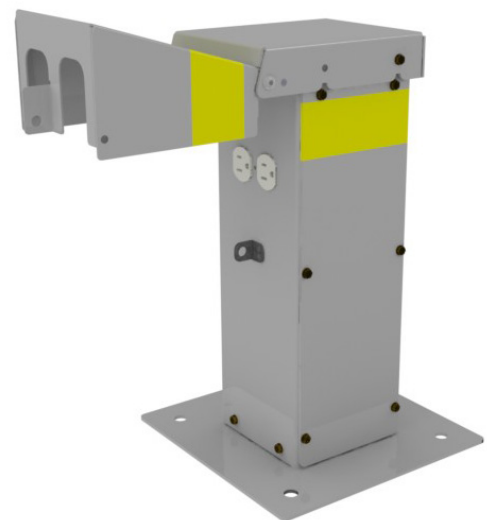
### Optional Items

- Custom heights
- Template and 4 anchor bolts, nuts & washers (P/N: PAB-EVGS)
- 15/20A or GFI receptacles
- Marine grade aluminum construction
- Custom powder coat colours



standard base dimensions

PART NUMBER standard base	RECEPTACLES	MINI BREAKERS
EVGSF1	1 - 15A Duplex	NONE
EVGSF2	1-15A Duplex Split	NONE
EVGSF3	1-15A Duplex	1-15A
EVGSF4	1-15A Duplex Split	2-15A
EVGSF5	2 - 15A Duplex	NONE
EVGSF6	2-15A Duplex Split	NONE
EVGSF7	2-15A Duplex	2-15A
EVGSF8	2-15A Duplex Split	4-15A
EVGSF9	3-15A Duplex	NONE
EVGSF10	4-15A Duplex	NONE
EVGSF11	3-15A Duplex	3-15A
EVGSF12	4-15A Duplex	4-15A



Rev 1.0