



Advanced Technology. Simple Solutions.

PAD-MOUNT RV POWER PEDESTAL WITH WHILE-IN-USE COVER

EVPF-M

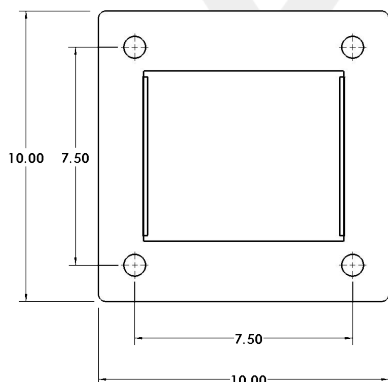
The EVPF-M pad-mount RV pedestal comes complete with feed-thru lugs, while-in-use cover, and receptacles protected by branch-rated breakers. The galvanized steel body construction provides additional corrosion resistance. Standard PC113 Parks Green powder coat paint provides a durable finish. The pad-mount base enables easy installation on solid base. Multiple breaker, receptacle, and mounting configurations available to suit a variety of applications. The Type 3R weatherproof design can be used both indoors and outdoors.

Features / Specifications

- Galvanized steel construction
- CSA Type 3R rated
- 24 in. H x 7 in. W x 5 in. D pedestal
- Commercial-grade receptacles
- Pad-mount with 10-in. x 10-in. base plate
- 10kAIR branch-rated breaker protection
- While-in-use flip-lid cover
- Breaker located under while-in-use cover
- Standard splitter blocks #14-2/0 AWG
- PC113 Parks Green powder coat finish
- Ground lug

Options

- Additional receptacle configurations
- Template and 4 anchor bolts, nuts, and washers (P/N: PAB-EVP)
- Low-voltage section with telephone or network outlets
- Higher amperage feed-thru lugs
- Custom powder coat colours
- Custom heights



PART #	RECEPTACLES		BREAKERS	
	QTY	TYPE	QTY	TYPE
EVPF1-M	1	15A GFI DUPLEX	1	15A 1P
EVPF2-M	2	15A GFI DUPLEX	2	15A 1P
EVPF3-M	1	15A GFI DUPLEX	1	15A 1P
	1	30A 125V CROWFOOT	1	30A 1P
EVPF4-M	1	15A GFI DUPLEX	1	15A 1P
	1	30A 125V CROWFOOT	1	30A 1P
	1	50A 125/250V	1	50A 2P
EVPF5-M	1	15A GFI DUPLEX	1	15A 1P
	1	50A 125/250V	1	50A 2P
EVPF6-M	1	20A GFI DUPLEX	1	20A 1P
EVPF7-M	2	20A GFI DUPLEX	2	20A 1P
EVPF8-M	1	20A GFI DUPLEX	1	20A 1P
	1	30A 125V CROWFOOT	1	30A 1P
EVPF9-M	1	20A GFI DUPLEX	1	20A 1P
	1	30A 125V CROWFOOT	1	30A 1P
	1	50A 125/250V	1	50A 2P
EVPF10-M	1	20A GFI DUPLEX	1	20A 1P
	1	50A 125/250V	1	50A 2P
EVPF11-M	1	30A 125V CROWFOOT	1	30A 1P
	1	50A 125/250V	1	50A 2P
EVPF14-M	1	30A 125V CROWFOOT	1	30A 1P
EVPF16-M	1	50A 125/250V	1	50A 2P
EVPF17-M	2	30A 125V CROWFOOT	2	30A 1P
EVPF18-M	2	50A 125/250V	2	50A 2P



Advanced Technology. Simple Solutions.

PAD-MOUNT RV POWER PEDESTAL WITH WHILE-IN-USE COVER

EVPF-M

ALTERNATE RECEPTACLE CONFIGURATION (MAXIMUM 3)

ADD TO PART NUMBER e.g. EVPF-AAJ-ML2

RECEPTACLE	BREAKER	ADDER
15A DUPLEX GFI	15A 1P	A
20A DUPLEX GFI	20A 1P	B
15A DUPLEX	15A 1P	D
20A DUPLEX	20A 1P	E
15A TL 125V	15A 1P	F
20A TL 125V	20A 1P	G
30A CROWFOOT 125V	30A 1P	H
30A TL 125V	30A 1P	J
30A 125/250V	30A 2P	K
50A 125/250V	50A 2P	M
50A 125/250V TL	50A 2P	Q

ADDITIONAL COMPONENTS

ADD TO PART NUMBER e.g. EVPF3-ML2

OPTIONS	ADDER
CUSTOM LUGS (UP TO 250 MCM FEED THRU)	L2
CUSTOM LUGS (UP TO 600 MCM FEED THRU)	L6
CUSTOM LUGS (OTHER CONFIGURATIONS)	LL
CABLE	C
TELEPHONE	V
NETWORK	N