



Advanced Technology. Simple Solutions.

PADMOUNT RV POWER PEDESTAL WITH WHILE-IN-USE COVER

EVPF-M

The EVPF-M padmount RV pedestal comes complete with feed-thru lugs, While-In-Use cover and receptacles protected by branch rated breakers. The galvanized steel body construction provides additional corrosion resistance. Standard PC113 parks green powder coat paint provides a durable finish. The padmount base enables easy installation on solid base. Multiple breaker, receptacle and mounting configurations allows for ease of use for many applications. The Type 3R weatherproof design can be used in both indoor and outdoor applications.

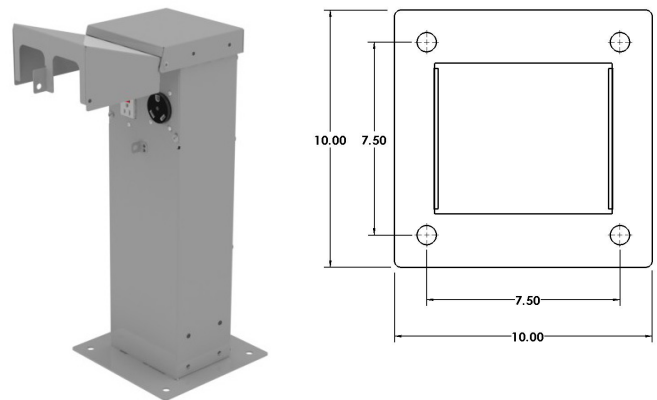
PART #	QTY	RECEPTACLES		BREAKERS	
		QTY	TYPE	QTY	TYPE
EVPF1-M	1	1	15A GFI DUPLEX	1	15A 1P
EVPF2-M	2	2	15A GFI DUPLEX	2	15A 1P
EVPF3-M	1	1	15A GFI DUPLEX	1	15A 1P
	1	1	30A 125V CROWFOOT	1	30A 1P
EVPF4-M	1	1	15A GFI DUPLEX	1	15A 1P
	1	1	30A 125V CROWFOOT	1	30A 1P
	1	1	50A 125/250V	1	50A 2P
EVPF5-M	1	1	15A GFI DUPLEX	1	15A 1P
	1	1	50A 125/250V	1	50A 2P
EVPF6-M	1	1	20A GFI DUPLEX	1	20A 1P
EVPF7-M	2	2	20A GFI DUPLEX	2	20A 1P
EVPF8-M	1	1	20A GFI DUPLEX	1	20A 1P
	1	1	30A 125V CROWFOOT	1	30A 1P
EVPF9-M	1	1	20A GFI DUPLEX	1	20A 1P
	1	1	30A 125V CROWFOOT	1	30A 1P
	1	1	50A 125/250V	1	50A 2P
EVPF10-M	1	1	20A GFI DUPLEX	1	20A 1P
	1	1	50A 125/250V	1	50A 2P
EVPF11-M	1	1	30A 125V CROWFOOT	1	30A 1P
	1	1	50A 125/250V	1	50A 2P
EVPF14-M	1	1	30A 125V CROWFOOT	1	30A 1P
EVPF16-M	1	1	50A 125/250V	1	50A 2P
EVPF17-M	2	2	30A 125V CROWFOOT	2	30A 1P
EVPF18-M	2	2	50A 125/250V	2	50A 2P

Features/Specifications

- Galvanized steel construction
- CSA Type 3R rated
- 24"H x 7"W x 5"D pedestal
- Commercial grade receptacles
- Padmount with 10" x 10" baseplate
- 10kAIR branch rated breaker protection
- While-In-Use flip lid cover
- Breaker located under While-In-Use cover
- Standard splitter blocks #14-2/0 AWG
- PC113 parks green powder coat finish
- Ground lug

Optional Items

- Additional receptacle configurations
- Template and 4 anchor bolts, nuts & washers (P/N: PAB-EVP)
- Low voltage section with telephone or network outlets
- Higher amperage feed-thru lugs
- Custom powder coat colours
- Custom heights



Rev 1.0



Advanced Technology. Simple Solutions.

ALTERNATE RECEPTACLE CONFIGURATION (MAXIMUM 3) ADD TO PART NUMBER e.g. EVPF-AAJ-ML2

RECEPTACLE	BREAKER	ADDER
15A DUPLEX GFI	15A 1P	A
20A DUPLEX GFI	20A 1P	B
15A DUPLEX	15A 1P	D
20A DUPLEX	20A 1P	E
15A TL 125V	15A 1P	F
20A TL 125V	20A 1P	G
30A CROWFOOT 125V	30A 1P	H
30A TL 125V	30A 1P	J
30A 125/250V	30A 2P	K
50A 125/250V	50A 2P	M
50A 125/250V TL	50A 2P	Q

ADDITIONAL COMPONENTS ADD TO PART NUMBER e.g. EVPF3-L2M

OPTIONS	ADDER
CUSTOM LUGS (UP TO 250 MCM FEED THRU)	L2
CUSTOM LUGS (UP TO 600 MCM FEED THRU)	L6
CUSTOM LUGS (OTHER CONFIGURATIONS)	LL
CABLE	C
TELEPHONE	V
NETWORK	N

Rev 1.0