



Advanced Technology. Simple Solutions.

# SHORT RV AND PARKING LOT PEDESTAL WITH WHILE-IN-USE COVER

## EVPSF

The EVPSF short series RV and parking lot pedestal is a convenient and economical compact design for campground and parking lots where the pedestals are raised from ground level. This product family includes branch-rated breakers, terminal blocks for termination, and receptacles with while-in-use flip-lid cover. Standard PC113 Parks Green powder coat paint provides a durable finish. A Type 3R rating allows for use both indoors and outdoors.

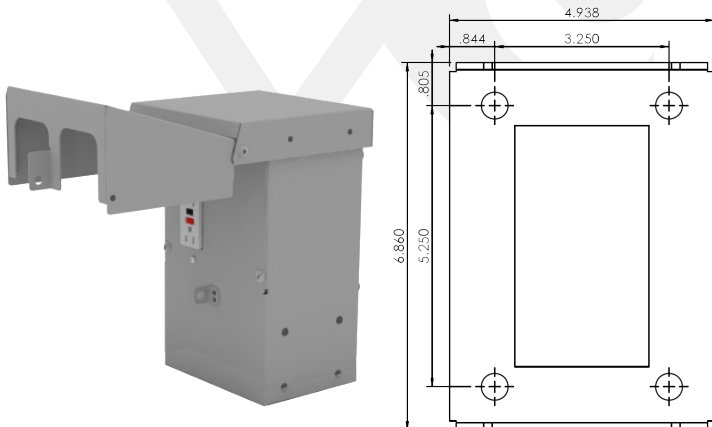
### Feature / Specifications

- Galvanized steel construction
- CSA Type 3R rated
- 12-in. high, for mounting on raised base
- 12 in. H x 7 in. W x 5 in. D
- Pad-mount base standard
- Commercial-grade receptacles
- 10kAIR branch-rated breaker protection
- While-in-use flip-lid cover
- Power distribution block for #14-2/0
- PC113 Parks Green powder coat finish
- Ground lug
- Hidden base (add -H to the part number)

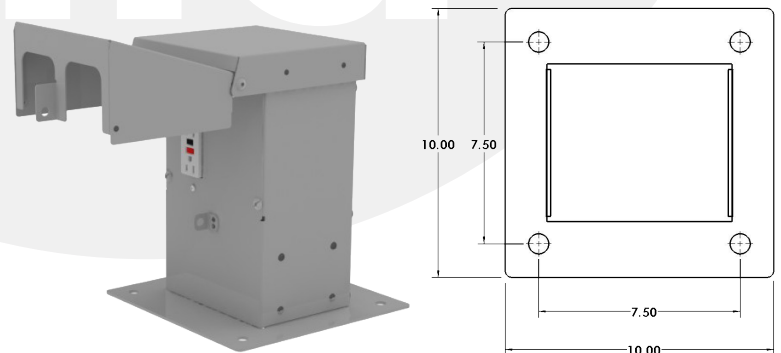
### Options

- Additional receptacle configurations
- Template and 4 anchor bolts, nuts, and washers (P/N: PAB-EVPS)
- Marine-grade aluminum construction
- Custom powder coat colours
- Custom heights

PART NUMBER		RECEPTACLES		BREAKERS	
STANDARD BASE	HIDDEN BASE	QTY	TYPE	QTY	TYPE
EVPSF1	EVPSF1-H	1	15A GFI DUPLEX	1	15A 1P
EVPSF2	EVPSF2-H	2	15A GFI DUPLEX	2	15A 1P
EVPSF3	EVPSF3-H	1	15A GFI DUPLEX 30A 125V CROWFOOT	1	15A 1P 30A 1P
EVPSF5	EVPSF5-H	1	15A GFI DUPLEX 50A 125/250V	1	15A 1P 50A 2P
EVPSF11	EVPSF11-H	1	30A 125V CROWFOOT 50A 125/250V	1	30A 1P 50A 2P
EVPSF6	EVPSF6-H	1	20A GFI DUPLEX	1	20A 1P
EVPSF7	EVPSF7-H	2	20A GFI DUPLEX	2	20A 1P
EVPSF8	EVPSF8-H	1	20A GFI DUPLEX 30A 125V CROWFOOT	1	20A 1P 30A 1P
EVPSF10	EVPSF10-H	1	20A GFI DUPLEX 50A 125/250V	1	20A 1P 50A 2P
EVPSF14	EVPSF14-H	1	30A 125V CROWFOOT	1	30A 1P
EVPSF16	EVPSF16-H	1	50A 125/250V	1	50A 2P
EVPSF17	EVPSF17-H	2	30A 125V CROWFOOT	2	30A 1P
EVPSF18	EVPSF18-H	2	50A 125/250V	2	50A 2P



Hidden Base



Standard Base