



Advanced Technology. Simple Solutions.

SHORT RV AND PARKING LOT PEDESTAL WITH WHILE-IN-USE COVER

EVPSF

The EVPSF short series RV and parking lot pedestal is a convenient and economical compact design for campground and parking lots where they are raised from ground level. This product family includes branch rated breakers, terminal blocks for termination and receptacles with While-In-Use flip lid cover. Standard PC113 Parks Green powder coat paint provides a durable finish. It is Type 3R rated so it can be used in outdoor and indoor applications.

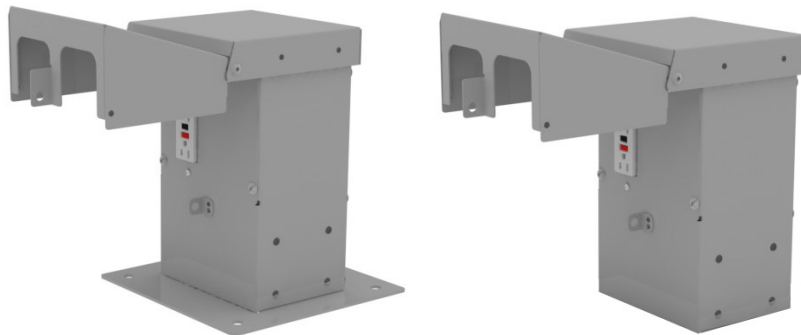
PART NUMBER		RECEPTACLES		BREAKERS	
STANDARD BASE	HIDDEN BASE	QTY	TYPE	QTY	TYPE
EVPSF1	EVPSF1-H	1	15A GFI DUPLEX	1	15A 1P
EVPSF2	EVPSF2-H	2	15A GFI DUPLEX	2	15A 1P
EVPSF3	EVPSF3-H	1	15A GFI DUPLEX	1	15A 1P
		1	30A 125V CROWFOOT	1	30A 1P
EVPSF5	EVPSF5-H	1	15A GFI DUPLEX	1	15A 1P
		1	50A 125/250V	1	50A 2P
EVPSF11	EVPSF11-H	1	30A 125V CROWFOOT	1	30A 1P
		1	50A 125/250V	1	50A 2P
EVPSF6	EVPSF6-H	1	20A GFI DUPLEX	1	20A 1P
EVPSF7	EVPSF7-H	2	20A GFI DUPLEX	2	20A 1P
EVPSF8	EVPSF8-H	1	20A GFI DUPLEX	1	20A 1P
		1	30A 125V CROWFOOT	1	30A 1P
EVPSF10	EVPSF10-H	1	20A GFI DUPLEX	1	20A 1P
		1	50A 125/250V	1	50A 2P
EVPSF14	EVPSF14-H	1	30A 125V CROWFOOT	1	30A 1P
EVPSF16	EVPSF16-H	1	50A 125/250V	1	50A 2P
EVPSF17	EVPSF17-H	2	30A 125V CROWFOOT	2	30A 1P
EVPSF18	EVPSF18-H	2	50A 125/250V	2	50A 2P

Features/Specifications

- Galvanized steel construction
- CSA Type 3R rated
- 12"H, for mounting on raised base
- 12"H x 7"W x 5"D
- Padmount base standard
- Commercial grade receptacles
- 10kAIR branch rated breaker protection
- While-In-Use flip lid cover
- Power distribution block for #14-2/0
- PC113 Parks Green powder coat finish
- Ground lug
- Hidden base (add -H to the part number)

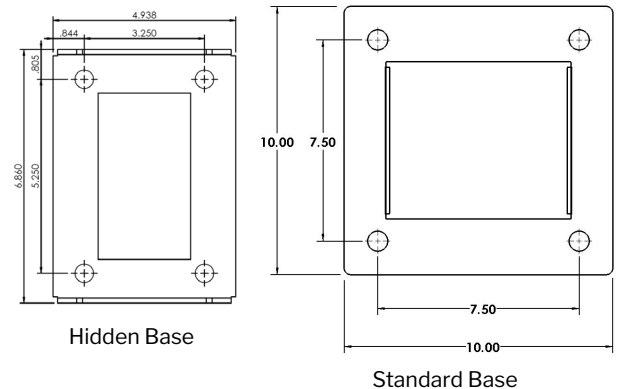
Optional Items

- Additional receptacle configurations
- Template and 4 anchor bolts, nuts & washers (P/N: PAB-EVPS)
- Marine grade aluminum construction
- Custom powder coat colours
- Custom heights



Standard Base

Hidden Base



Hidden Base

Standard Base

Rev 1.0