



Advanced Technology. Simple Solutions.

PARKING LOT PEDESTAL WITH FEED-THRU LUGS AND WHILE-IN-USE COVER

EVVF

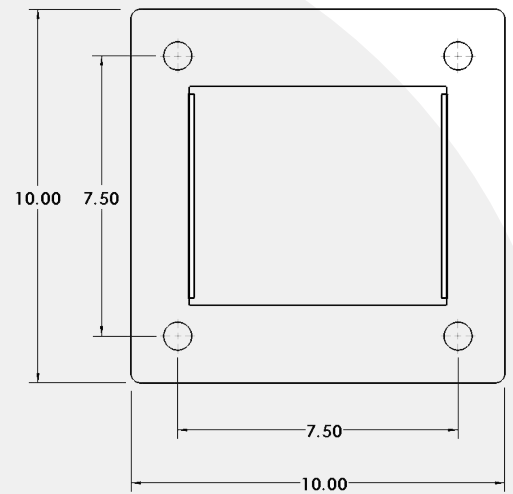
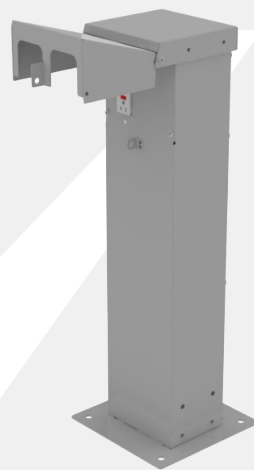
This family of parking lot pedestals is a convenient way to distribute power in parking lot applications. The product line includes branch rated breakers, feed thru terminal blocks, and receptacles with a while-in-use cover. Standard PC101 Grey powder coat paint provides a durable finish. A Type 3R rating allows for use in both outdoor and indoor applications.

Features / Specifications

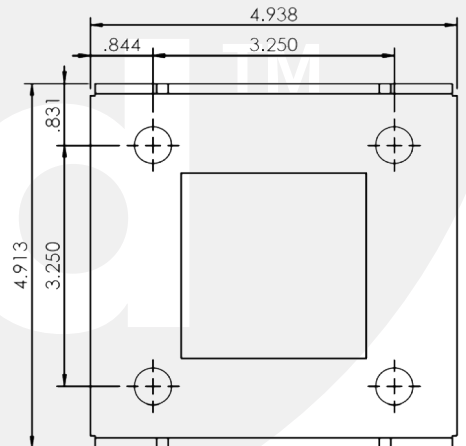
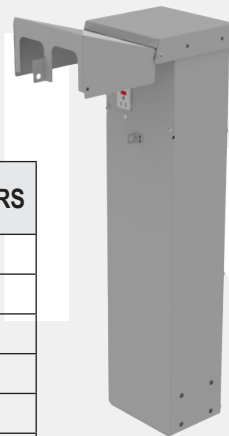
- Galvanized steel construction
- CSA Type 3R rated
- 10 in. x 10 in. standard pad-mount base
- While-in-use flip lid cover
- 30-in H pedestal
- 10kAIR branch rated breaker protection
- Standard splitter blocks #14-2/0 AWG
- Commercial-grade receptacles
- PC101 Grey powder coat finish
- Ground lug
- Hidden base (add -H to the part number)

Options

- Additional receptacle configurations
- Custom heights
- Template and 4 anchor bolts, nuts, and washers (P/N: PAB-EVV)
- 15/20A or GFI receptacles
- Marine-grade aluminum construction
- Custom powder coat colours



Standard Base



Hidden Base

PART NUMBER STANDARD BASE	PART NUMBER HIDDEN BASE	RECEPTACLES	BREAKERS
EVVF1	EVVF1-H	1-15A Duplex	NONE
EVVF2	EVVF2-H	1-15A Duplex Split	NONE
EVVF3	EVVF3-H	1-15A Duplex	1-15A
EVVF4	EVVF4-H	1-15A Duplex Split	2-15A
EVVF5	EVVF5-H	2-15A Duplex	NONE
EVVF6	EVVF6-H	2-15A Duplex Split	NONE
EVVF7	EVVF7-H	2-15A Duplex	2-15A
EVVF8	EVVF8-H	2-15A Duplex Split	4-15A
EVVF9	EVVF9-H	3-15A Duplex	NONE
EVVF10	EVVF10-H	4-15A Duplex	NONE
EVVF11	EVVF11-H	3-15A Duplex	3-15A
EVVF12	EVVF12-H	4-15A Duplex	4-15A