



Advanced Technology. Simple Solutions.

PARKING LOT PEDESTAL WITH FEED THRU LUGS AND WHILE-IN-USE COVER

EVVF

This family of parking lot pedestals are a convenient way to distribute power in parking lot applications. This product family includes branch rated breakers, feed thru terminal blocks and receptacles with a While-In-Use cover. Standard PC101 Grey powder coat paint provides a durable finish. It is Type 3R rated so it can be used in outdoor and indoor applications.

PART NUMBER standard base	PART NUMBER hidden base	RECEPTACLES	BREAKERS
EVVF1	EVVF1-H	1 - 15A Duplex	NONE
EVVF2	EVVF2-H	1-15A Duplex Split	NONE
EVVF3	EVVF3-H	1-15A Duplex	1-15A
EVVF4	EVVF4-H	1-15A Duplex Split	2-15A
EVVF5	EVVF5-H	2 - 15A Duplex	NONE
EVVF6	EVVF6-H	2-15A Duplex Split	NONE
EVVF7	EVVF7-H	2-15A Duplex	2-15A
EVVF8	EVVF8-H	2-15A Duplex Split	4-15A
EVVF9	EVVF9-H	3-15A Duplex	NONE
EVVF10	EVVF10-H	4-15A Duplex	NONE
EVVF11	EVVF11-H	3-15A Duplex	3-15A
EVVF12	EVVF12-H	4-15A Duplex	4-15A

Features/Specifications

- Galvanized steel construction
- CSA Type 3R rated
- 10" x 10" padmount base standard
- While-In-Use flip lid cover
- 30"H pedestal
- 10kAIR branch rated breaker protection
- Standard splitter blocks #14-2/0 AWG
- Commercial grade receptacles
- PC 101 Grey powder coat finish
- Ground lug
- Hidden base (add -H to the part number)

Optional Items

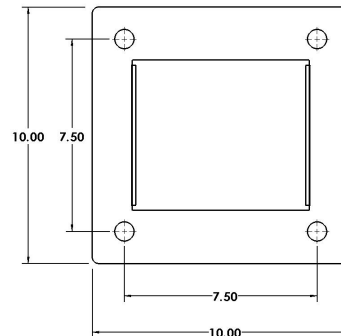
- Additional receptacle configurations
- Custom heights
- Template and 4 anchor bolts, nuts & washers (P/N: PAB-EVV)
- 15/20A or GFI receptacles
- Marine grade aluminum construction
- Custom powder coat colours



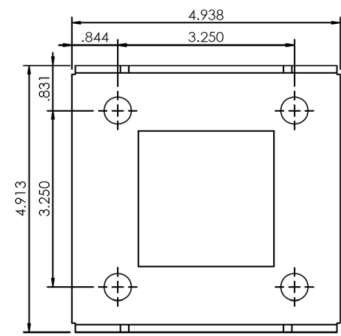
Standard Base



Hidden Base



Standard Baseplate



Hidden Base

Rev 1.0