



Advanced Technology. Simple Solutions.

AIR VALVE ENCLOSURE

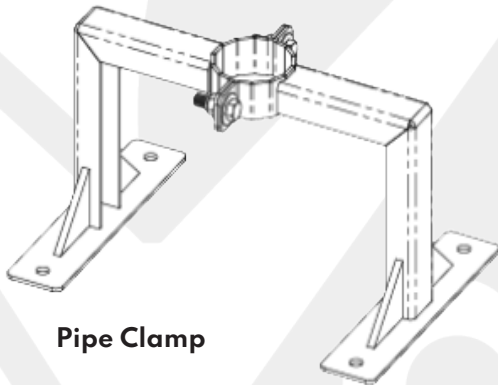
HRV

Features / Specifications

- 1/8 in. - 5052 marine-grade aluminum
- Insulated with 1- 1/2 in. foil-back insulation
- Stainless steel hinges
- Removeable drainage/ventilation panel
- Designed to fit on precast base
- PC101 Grey powder coat with PC119 anti-graffiti coating

Options

- Type 4X enclosure - 12 in. H x 12 in. W x 6 in. D
- 40 ft heat trace cable
- 1P 15A GFI breaker mounted in junction box
- Pipe Clamp - sized per part number



Pipe Clamp



BASE PART NUMBER	HEIGHT	WIDTH	DEPTH	COMES WITH 1 IN. PIPE CLAMP	COMES WITH 2 IN. PIPE CLAMP	COMES WITH 4 IN. PIPE CLAMP	COMES WITH 6 IN. PIPE CLAMP
HRV344227	34 in	42 in	27 in	HRV344227-1	HRV344227-2	HRV344227-4	HRV344227-6
HRV344630	34 in	46 in	30 in	HRV344630-1	HRV344630-2	HRV344630-4	HRV344630-6
HRV364020	36 in	40 in	20 in	HRV364020-1	HRV364020-2	HRV364020-4	HRV364020-6
HRV484630	48 in	46 in	30 in	HRV484630-1	HRV484630-2	HRV484630-4	HRV484630-6
HRV494630	49 in	46 in	30 in	HRV494630-1	HRV494630-2	HRV494630-4	HRV494630-6
HRV604229	60 in	42 in	29 in	HRV604229-1	HRV604229-2	HRV604229-4	HRV604229-6
HRV604630	60 in	46 in	30 in	HRV604630-1	HRV604630-2	HRV604630-4	HRV604630-6