



Advanced Technology. Simple Solutions.

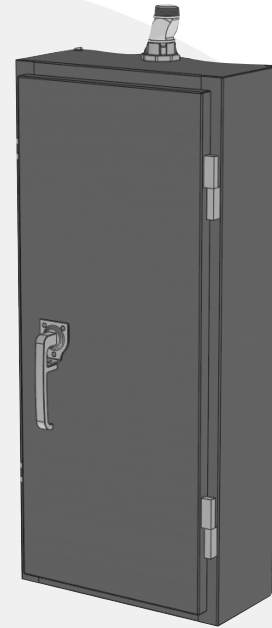
HIGHWAY SERVICE PANEL

HWYSP16

This family of HWYSP16 Highway Service Panels can be used on any steel pole for street lighting or power distribution and are fed from a supply authority underground or overhead service. The padlockable swing door enables easy access. A Type 3R rating and stainless steel construction offer additional protection.

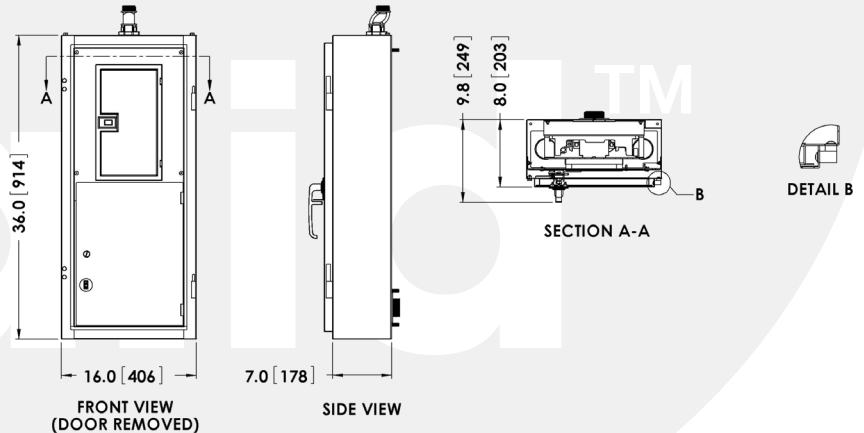
Features / Specifications

- 304 stainless steel construction
- Service entrance rated
- CSA Type 3R rated
- Overhead or underground service applications
- Photocell bypass switch
- Lock-out tab on main breaker
- Mounting hardware and conduit fittings included
- 16 cct panel
- 120/240 VAC 1 phase
- 10 kAIC rated
- 100A main breaker (standard)
- Padlockable handle
- 1 1/4-in. conduit entry and 2-in. pole access hole on back
- Contactors and controls section for up to four 4-pole contactors or flashers
- Listed on BC MOT&I recognized products list



Options

- 60A main breaker
- Snowplow debris cover
- Up to 4 lighting contactors
- Flasher controls
- Sub-breakers as required up to 22 kAIC
- Additional contactors
- Crosswalk flasher
- Warning board flasher
- Up to 4 lighting contactors



| PARTNUMBER | HEIGHT | WIDTH | DEPTH | MAIN SERVICE | SERVICE | MAX # CONTACTORS |
|---------------|--------|-------|-------|-------------------|-------------|------------------|
| HWYSP16-6S | 36 in | 16 in | 8 in | 120/240V 60A 1PH | Overhead | 4 |
| HWYSP16-10S* | 36 in | 16 in | 8 in | 120/240V 100A 1PH | Overhead | 4 |
| HWYSP16-6S-U | 36 in | 16 in | 8 in | 120/240V 60A 1PH | Underground | 4 |
| HWYSP16-10S-U | 36 in | 16 in | 8 in | 120/240V 100A 1PH | Underground | 4 |

* Standard design

Contact Valid for all available options.