



Advanced Technology. Simple Solutions.

# HIGHWAY SERVICE PANEL

## HWYSP16

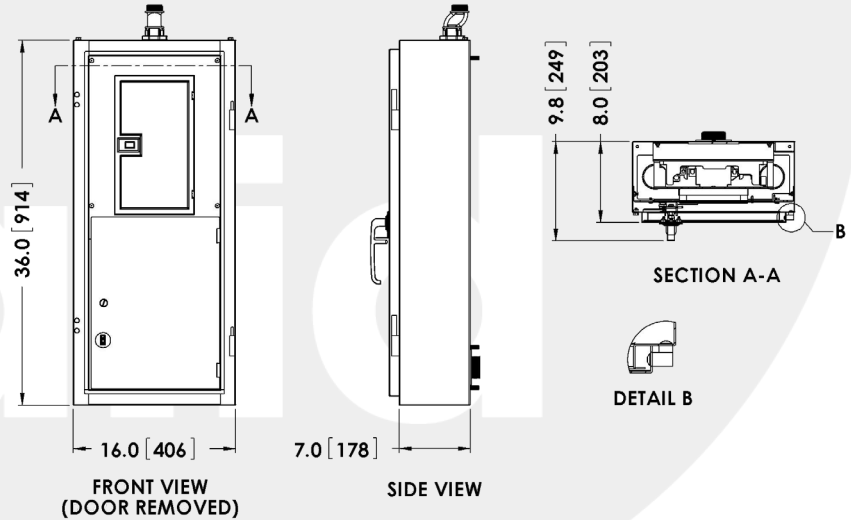
This family of HWYSP16 Highway Service Panels can be used on any steel pole for street lighting or power distribution and are fed from a supply authority underground or overhead service. The padlockable swing door enables easy access. A Type 3R rating and stainless steel construction offer additional protection.

### Features / Specifications

- 304 stainless steel construction
- Service entrance rated
- CSA Type 3R rated
- Overhead or underground service applications
- Photocell bypass switch
- Lock-out tab on main breaker
- Mounting hardware and conduit fittings included
- 16 cct panel
- 120/240 VAC 1 phase
- 100A main breaker (standard), 22kAIC rated
- 10 kAIC rated sub-breakers (standard)
- Padlockable handle
- 1 1/4-in. conduit entry and 2-in. pole access hole on back
- Contactors and controls section for up to four 4-pole contactors or flashers
- Listed on BC MOT&I recognized products list

### Options

- 60A main breaker
- Snowplow debris cover
- Up to 4 lighting contactors
- Sub-breakers as required up to 22 kAIC
- Crosswalk flasher and flasher controls
- Warning board flasher



PARTNUMBER	HEIGHT	WIDTH	DEPTH	MAIN SERVICE	SERVICE	MAX # CONTACTORS
HWYSP16-6S	36 in	16 in	8 in	120/240V 60A 1PH	Overhead	4
HWYSP16-10S*	36 in	16 in	8 in	120/240V 100A 1PH	Overhead	4
HWYSP16-6S-U	36 in	16 in	8 in	120/240V 60A 1PH	Underground	4
HWYSP16-10S-U	36 in	16 in	8 in	120/240V 100A 1PH	Underground	4

\* Standard design

Contact Valid for all available options.