



Advanced Technology. Simple Solutions.

# MARINE POWER PEDESTAL

## PMAR

This deck mount aluminum marine power pedestal is designed to give the user a simple but efficient power point as well as an attractive addition to the marina. There is plenty of room for connections and the receptacles and breakers are placed for ease of use and convenience.

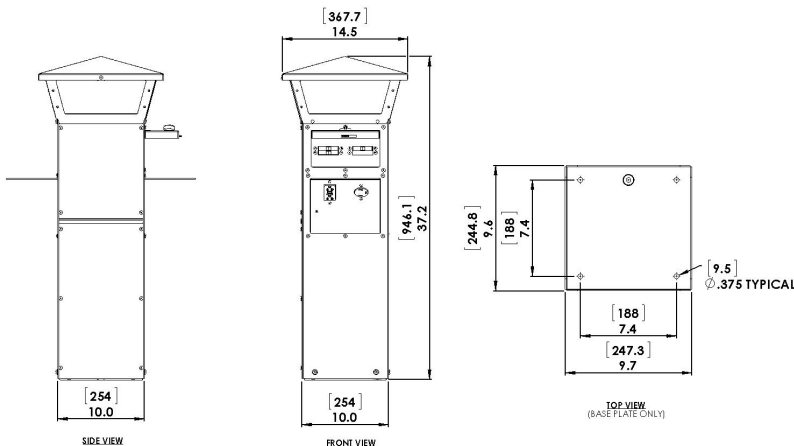


### Features/Specifications

- Marine-grade aluminum construction
- CSA Type 3R rated
- Protective breakers for each outlet behind a separate door
- Built in LED top light
- Outlets and breakers protected from the elements
- Two tone colour with body powder coated PC107 Gloss White and cap PC121 Blue
- 120/240V rated
- Up to 6 outlets breaker protected
- 37"H x 10"W x 10"D aluminum construction
- Base plate 10" x 10"

### Optional Items

- Low voltage section
- Water spigot
- Metering system
- Hose support rack
- Fire extinguisher holder
- Photocell
- Multiple variations of powder coat colour
- Non-illuminated



Part numbers on back of page

Rev-1.1



Advanced Technology. Simple Solutions.

# MARINE POWER PEDESTAL

## PMAR

STANDARD PMAR PRODUCTS (MAXIMUM 6 CCTS)

PART NUMBER PMAR-XXXXXX (WHERE X ARE THE RECEPTACLE ADDER)

e.g. PMAR-AAJJQQ

RECEPTACLE	NEMA TYPE	BREAKER	ADDER
15A DUPLEX GFI	5-15R	15A 1P	A
15A DUPLEX	5-15R	15A 1P	D
15A TL 125V	L5-15R	15A 1P	F
20A TL 125V	L5-20R	20A 1P	G
30A TL 125V	L5-30R	30A 1P	J
50A TL 125V	Non-NEMA	50A 1P	R
50A 125/250V TL	Non-NEMA	50A 2P	Q

### OPTIONAL COMPONENTS

ADD TO PART NUMBER e.g. PMAR-AAJJQQ-WLCN

OPTIONS	ADDER
LOW VOLTAGE SECTION	Z
WATER SPIGOT	W
PHOTOCELL	P
METERING SYSTEM	M
CABLE	C
TELEPHONE	V
NETWORK	N
HOSE SUPPORT RACK	H
FIRE EXTINGUISHER HOLDER	F
NON-ILLUMINATED	D

Rev-1.1