



Advanced Technology. Simple Solutions.

MARINE POWER PEDESTAL

PMAR

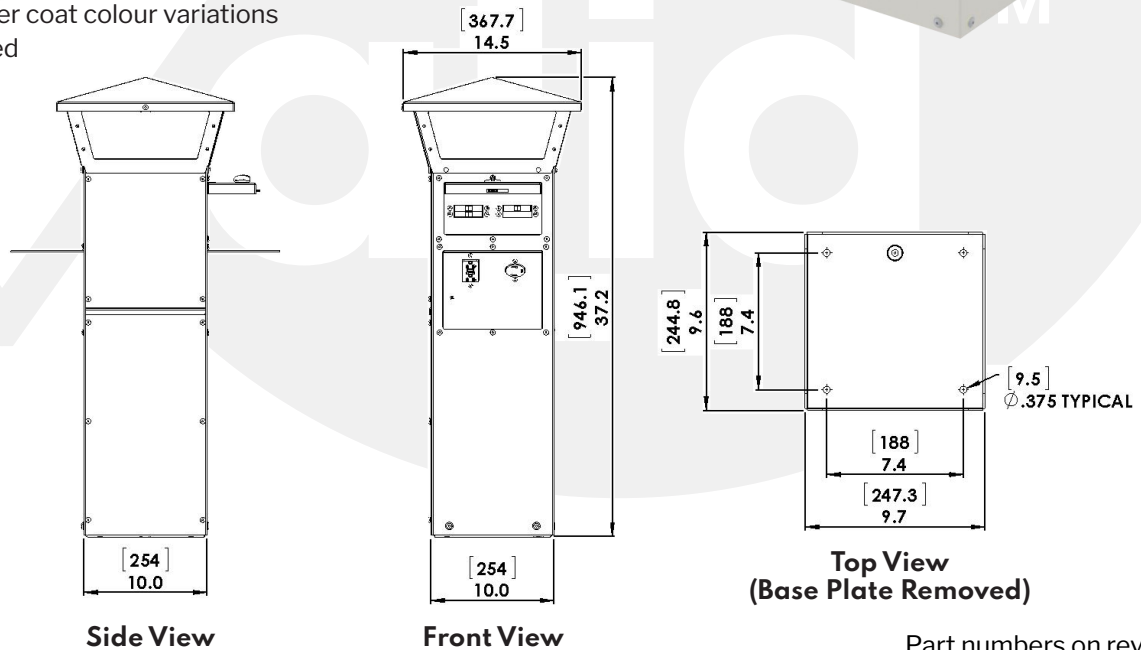
This deck-mount aluminum marine power pedestal is designed to give the user a simple but efficient power point as well as provide an attractive addition to the marina. The receptacles and breakers are conveniently placed, and there is plenty of room for connections.

Features / Specifications

- Marine-grade aluminum construction
- CSA Type 3R rated
- Protective breakers for each outlet behind a separate door
- Built-in LED top light
- Outlets and breakers protected from the elements
- Two-tone colour - body in PC107 Gloss White powder coat and cap in PC121 Blue
- 120/240V rated
- Up to 6 breaker-protected outlets
- 37 in. H x 10 in. W x 10 in. D aluminum construction
- Base plate 10 in. x 10 in.

Options

- Low voltage section
- Water spigot
- Metering system
- Hose support rack
- Fire extinguisher holder
- Photocell
- Multiple powder coat colour variations
- Non-illuminated



Part numbers on reverse



Advanced Technology. Simple Solutions.

MARINE POWER PEDESTAL

PMAR

STANDARD PMAR PRODUCTS (MAXIMUM 6 CCTS)

PART NUMBER PMAR-XXXXXX (WHERE X = RECEPTACLE ADDER)

e.g. PMAR-AAJJQQ

RECEPTACLE	NEMA TYPE	BREAKER	ADDER
15A DUPLEX GFI	5-15R	15A 1P	A
15A DUPLEX	5-15R	15A 1P	D
15A TL 125V	L5-15R	15A 1P	F
20A TL 125V	L5-20R	20A 1P	G
30A TL 125V	L5-30R	30A 1P	J
50A TL 125V	L5-50R	50A 1P	R
50A 125/250V TL	L14-50R	50A 2P	Q

OPTIONAL COMPONENTS

ADD TO PART NUMBER e.g. PMAR-AAJJQQ-WLCN

OPTIONS	ADDER
LOW VOLTAGE SECTION	Z
WATER SPIGOT	W
PHOTOCELL	P
METERING SYSTEM	M
CABLE	C
TELEPHONE	V
NETWORK	N
HOSE SUPPORT RACK	H
FIRE EXTINGUISHER HOLDER	F
NON-ILLUMINATED	D