



Advanced Technology. Simple Solutions.

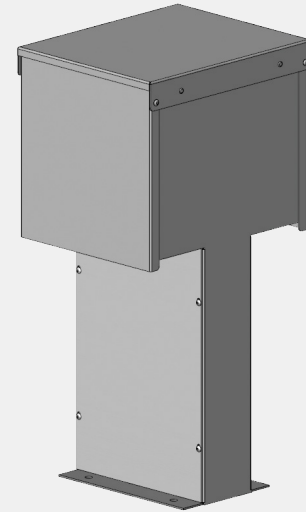
BACK-TO-BACK PAD-MOUNT PREMIUM CAMPGROUND PEDESTAL

PRVD

The back-to-back design is part of Valid's premium power pedestal line. Robust aluminum construction and stainless steel hardware provides superior corrosion protection. Extra space enables easier termination and the standard LED light on the faceplate provides light where it is needed. The back-to-back configuration provides power to adjacent sites. The cover acts as a shield, providing a downlight when closed.

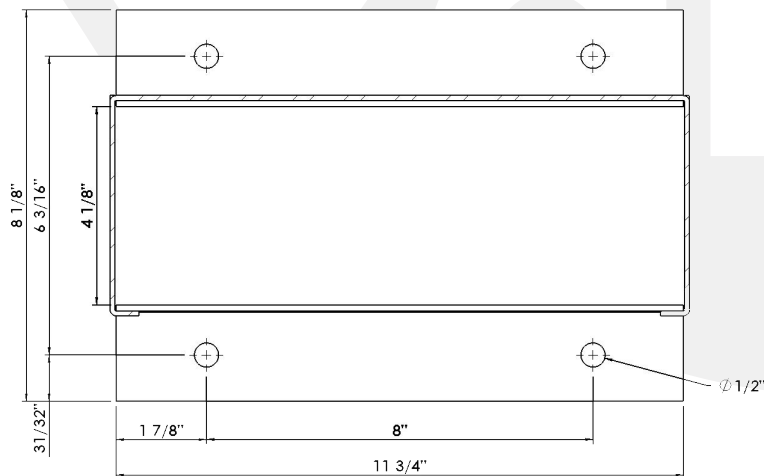
Features / Specifications

- Marine-grade aluminum construction
- CSA Type 3R rated
- Loop feed power termination lugs
- Back-to-back configuration
- 10kAIR branch rated breaker protection
- Stainless steel exterior hardware
- PC113 Parks Green powder coat finish or other standard powder coat colours
- 30 in. (H) x 12 in. (W) x 8.5 in. (D)
- 11 3/4 in. x 8 in. base plate

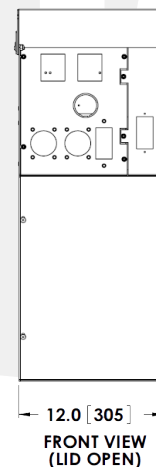


Options

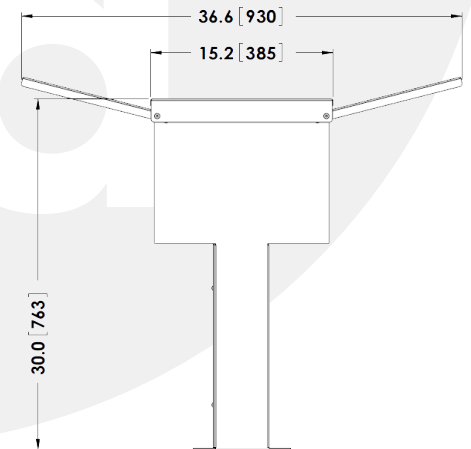
- Top light
- Side light
- Photocell
- Custom lug configurations
- Water manifold
- Built-in LED illumination



STANDARD BASE PLATE DIMENSIONS



FRONT VIEW
(LID OPEN)



SIDE VIEW
(LIDS OPEN)

TYPICAL PRVD CONFIGURATION



Advanced Technology. Simple Solutions.

BACK-TO-BACK PAD-MOUNT PREMIUM CAMPGROUND PEDESTAL

PRVD

STANDARD PRVD PRODUCTS (MAXIMUM 8 SINGLE POLE CCTS)

PART NUMBER PRVD-XXXXXXXX (WHERE X IS THE RECEPTACLE ADDER)
e.g. PRVS-AAMXMHHX

RECEPTACLE	BREAKER	ADDER
15A DUPLEX GFI	15A 1P	A
20A DUPLEX GFI	20A 1P	B
15A DUPLEX	15A 1P	D
20A DUPLEX	20A 1P	E
15A TL 125V	15A 1P	F
20A TL 125V	20A 1P	G
30A CROWFOOT 125V	30A 1P	H
30A TL 125V	30A 1P	J
30A 125/250V	30A 2P	K
50A 125/250V	50A 2P	M
50A 125/250V TL	50A 2P	Q

ADDITIONAL COMPONENTS

ADD TO PART NUMBER e.g. PRVD-AAMXMMHX-SPVL2

OPTIONS	ADDER
CUSTOM LUGS (UP TO 250 MCM FEED THRU)	L2
CUSTOM LUGS (UP TO 600 MCM FEED THRU)	L6
CUSTOM LUGS (OTHER CONFIGURATIONS)	LL
CABLE	C
TELEPHONE	V
NETWORK	N
TOP LIGHT	T
SIDE LIGHT	S
PHOTOCELL	P
WATER	W