

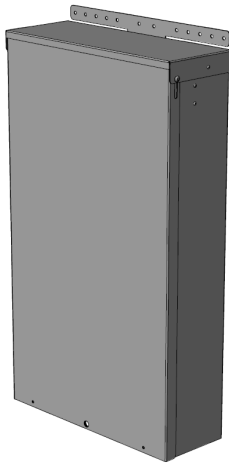


Advanced Technology. Simple Solutions.

POLE & WALL MOUNT DISTRIBUTION CABINET

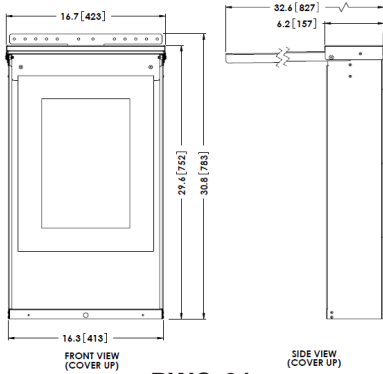
PWC

The PWC is a pole or wall mount weatherproof cabinet specifically sized to house 120/240V distribution panels and other electrical and control equipment. The padlockable flip style lid allows convenient access and security.

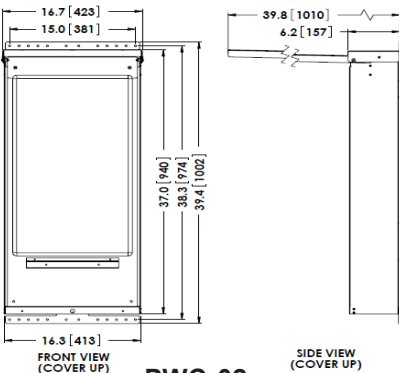


Features/Specifications

- Steel construction
- CSA Type 3R rated
- Powder coated PC101 Grey
- Pole/wall mount design
- Mounting rails inside for panels
- Padlockable flip-lid
- Bolt or band-on style brackets
- Open bottom design
- Stainless steel exterior hardware
- Fits single phase 100A & 200A panels up to 24 cct.
- Fits 3 phase 100A panels up to 32 cct.



PWC-01



PWC-02

PART NUMBER	HEIGHT	WIDTH	DEPTH
PWC-01	29 1/2"	16 5/8"	6 1/8"
PWC-02	37"	16 5/8"	6 1/8"

DUE TO CHANGING MOUNTING DIMENSIONS OF DISTRIBUTION PANELS PLEASE CONTACT FACTORY FOR UPDATED LISTING OF PANELS

Rev-1.2