



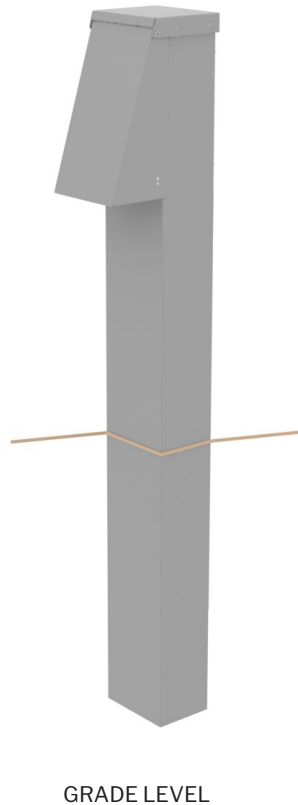
Advanced Technology. Simple Solutions.

DIRECT BURIAL CAMPGROUND PEDESTAL

RVB

This pedestal style is a direct burial design, providing the RV owner with a single power point. All receptacles are protected by breakers on the pedestal.

PART #	RECEPTACLES		BREAKERS	
	QTY	TYPE	QTY	TYPE
RVB1	1	15A GFI DUPLEX	1	15A 1P
RVB2	2	15A GFI DUPLEX	2	15A 1P
RVB3	1	15A GFI DUPLEX	1	15A 1P
	1	30A 125V CROWFOOT	1	30A 1P
RVB4	1	15A GFI DUPLEX	1	15A 1P
	1	30A 125V CROWFOOT	1	30A 1P
	1	50A 125/250V	1	50A 2P
RVB5	1	15A GFI DUPLEX	1	15A 1P
	1	50A 125/250V	1	50A 2P
RVB6	1	20A GFI DUPLEX	1	20A 1P
RVB7	2	20A GFI DUPLEX	2	20A 1P
RVB8	1	20A GFI DUPLEX	1	20A 1P
	1	30A 125V CROWFOOT	1	30A 1P
RVB9	1	20A GFI DUPLEX	1	20A 1P
	1	30A 125V CROWFOOT	1	30A 1P
	1	50A 125/250V	1	50A 2P
RVB10	1	20A GFI DUPLEX	1	20A 1P
	1	50A 125/250V	1	50A 2P
RVB11	1	30A 125V CROWFOOT	1	30A 1P
	1	50A 125/250V	1	50A 2P
RVB14	1	30A 125V CROWFOOT	1	30A 1P
RVB16	1	50A 125/250V	1	50A 2P
RVB17	2	30A 125V CROWFOOT	2	30A 1P
RVB18	2	50A 125/250V	2	50A 2P



Features/Specifications

- Galvanized steel construction
- Dimensions of 34"H x 7"W x 5¼"D
- CSA Type 3R rated
- Powder coated PC113 Parks Green
- 24" direct burial spade
- Aluminum cap for additional corrosion protection
- Standard splitter blocks #14-2/0
- While-in-Use padlock cover
- Loop feed power termination lugs
- 10kAIR branch rated breaker protection

Optional Items

- Top light
- Side light
- Photocell
- Water spigot(s)
- Additional receptacle configurations
- Low voltage section with cable telephone or network outlets
- Higher amperage feedthru lugs
- Custom powder coat colours including beige, grey and white

ADDITIONAL PART NUMBERS AND CONFIGURATIONS ON NEXT PAGE

Rev 1.1



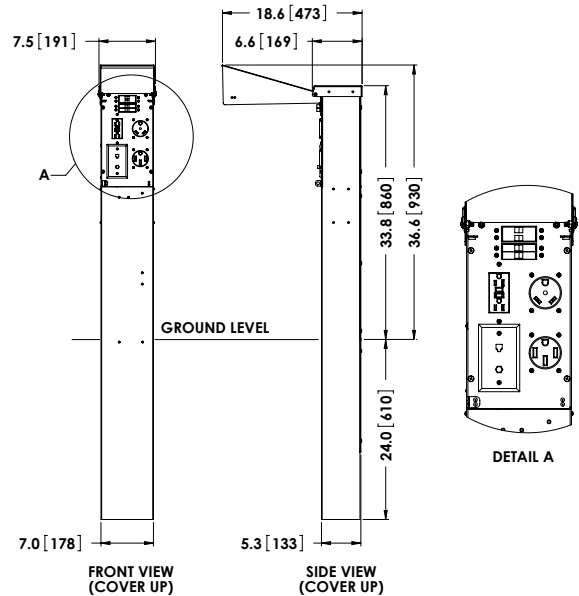
Advanced Technology. Simple Solutions.

ALTERNATE RECEPTACLE CONFIGURATION (MAXIMUM 4) ADD TO PART NUMBER e.g. RVB-AAM-PSV

RECEPTACLE	BREAKER	ADDER
15A DUPLEX GFI	15A 1P	A
20A DUPLEX GFI	20A 1P	B
15A DUPLEX	15A 1P	D
20A DUPLEX	20A 1P	E
15A TL 125V	15A 1P	F
20A TL 125V	20A 1P	G
30A CROWFOOT 125V	30A 1P	H
30A TL 125V	30A 1P	J
30A 125/250V	30A 2P	K
50A 125/250V	50A 2P	M
50A 125/250V TL	50A 2P	Q

ADDITIONAL COMPONENTS ADD TO PART NUMBER e.g. RVB4-PSV

OPTIONS	ADDER
CUSTOM LUGS (UP TO 250 MCM FEED THRU)	L2
CUSTOM LUGS (UP TO 600 MCM FEED THRU)	L6
CUSTOM LUGS (OTHER CONFIGURATIONS)	LL
CABLE	C
TELEPHONE	V
NETWORK	N
TOP LIGHT	T
SIDE LIGHT	S
PHOTOCELL	P
SINGLE WATER SPIGOT	W1
DOUBLE WATER SPIGOT	W2



TYPICAL RVB4-CV CONFIGURATION

Rev 1.1