



Advanced Technology. Simple Solutions.

BACK-TO-BACK DIRECT-BURIAL CAMPGROUND PEDESTAL

RVBD

This pedestal style is a direct-burial back-to-back design providing RV owners in adjacent campsites with a single power point. All receptacles are protected by breakers on this pedestal.

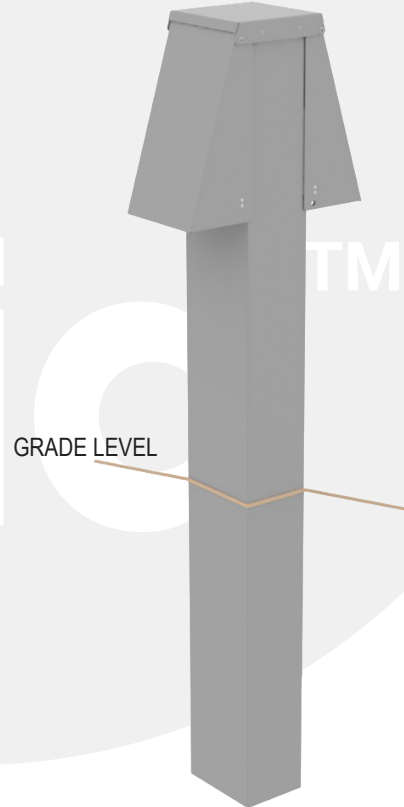
Features / Specifications

- Galvanized steel construction
- Dimensions of 34 in. (H) above grade x 7 in. (W) x 5 1/4 in. (D)
- 24-in direct burial spade
- CSA Type 3R rated
- Powder coated PC113 Parks Green
- Back-to-back receptacle and breaker design
- Aluminum cap for additional corrosion protection
- Loop feed power termination lugs
- 10kAIR branch rated breaker protection
- While-in-use padlock cover
- Standard splitter blocks #14-2/0

Options

- Top light
- Side light
- Photocell
- Water spigot(s)
- Additional receptacle configuratons
- Low-voltage section with cable telephone or network outlets
- Remote metering systems
- Higher amperage feed-thru lugs
- Custom powder coat colours including beige, grey, and white

PART #	RECEPTACLES		BREAKERS	
	QTY	TYPE	QTY	TYPE
RVBD1	2	15A GFI DUPLEX	2	15A 1P
RVBD2	4	15A GFI DUPLEX	4	15A 1P
RVBD3	2 2	15A GFI DUPLEX 30A 125V CROWFOOT	2 2	15A 1P 30A 1P
RVBD4	2 2 2	15A GFI DUPLEX 30A 125V CROWFOOT 50A 125/250V	2 2 2	15A 1P 30A 1P 50A 2P
RVBD5	2 2	15A GFI DUPLEX 50A 125/250V	2 2	15A 1P 50A 2P
RVBD6	2	20A GFI DUPLEX	2	20A 1P
RVBD7	4	20A GFI DUPLEX	4	20A 1P
RVBD8	2 2	20A GFI DUPLEX 30A 125V CROWFOOT	2 2	20A 1P 30A 1P
RVBD9	2 2 2	20A GFI DUPLEX 30A 125V CROWFOOT 50A 125/250V	2 2 2	20A 1P 30A 1P 50A 2P
RVBD10	2 2	20A GFI DUPLEX 50A 125/250V	2 2	20A 1P 50A 2P
RVBD11	2 2	30A 125V CROWFOOT 50A 125/250V	2 2	30A 1P 50A 2P
RVBD14	2	30A 125V CROWFOOT	2	30A 1P
RVBD16	2	50A 125/250V	2	50A 2P
RVBD17	4	30A 125V CROWFOOT	4	30A 1P
RVBD18	4	50A 125/250V	4	50A 2P



Additional part numbers and configurations on next page.



Advanced Technology. Simple Solutions.

BACK-TO-BACK DIRECT-BURIAL CAMPGROUND PEDESTAL

RVBD

ALTERNATE RECEPTACLE CONFIGURATION (MAXIMUM 8)

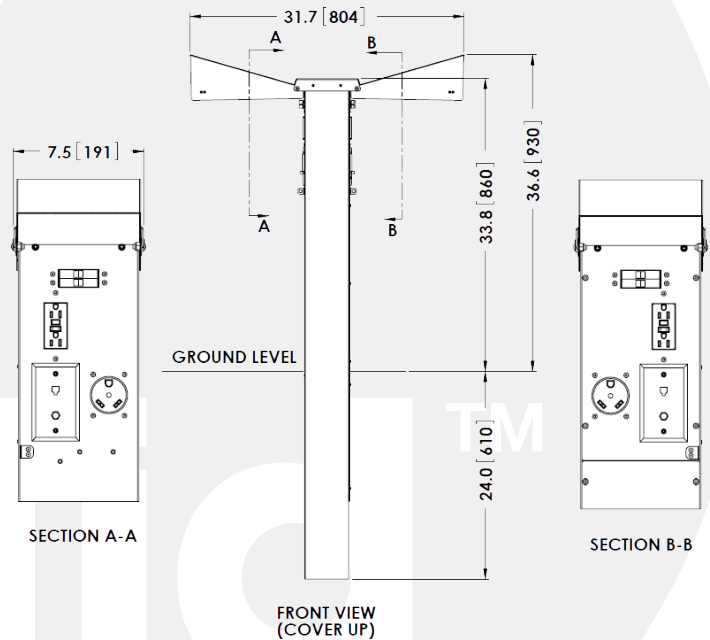
ADD TO PART NUMBER e.g. RVBD-AAMM-PSV

RECEPTACLE	BREAKER	ADDER
15A DUPLEX GFI	15A 1P	A
20A DUPLEX GFI	20A 1P	B
15A DUPLEX	15A 1P	D
20A DUPLEX	20A 1P	E
15A TL 125V	15A 1P	F
20A TL 125V	20A 1P	G
30A CROWFOOT 125V	30A 1P	H
30A TL 125V	30A 1P	J
30A 125/250V	30A 2P	K
50A 125/250V	50A 2P	M
50A 125/250V TL	50A 2P	Q

ADDITIONAL COMPONENTS

ADD TO PART NUMBER e.g. RVBD4-PSV

OPTIONS	ADDER
CUSTOM LUGS (UP TO 250 MCM FEED THRU)	L2
CUSTOM LUGS (UP TO 600 MCM FEED THRU)	L6
CUSTOM LUGS (OTHER CONFIGURATIONS)	LL
CABLE	C
TELEPHONE	V
NETWORK	N
TOP LIGHT	T
SIDE LIGHT	S
PHOTOCELL	P
SINGLE WATER SPIGOT	W1
DOUBLE WATER SPIGOT	W2



TYPICAL RVBD3-CV CONFIGURATION