



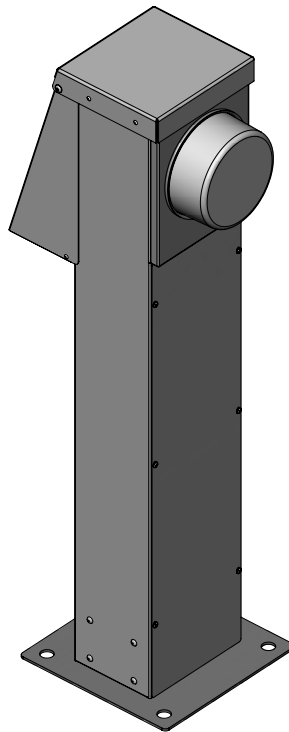
Advanced Technology. Simple Solutions.

METERED PAD MOUNT CAMPGROUND PEDESTAL

RVPM

This pedestal style is a pad mount design providing the RV owner with a single power point. All receptacles are protected by breakers on the pedestal and the check meter allows monitoring of power consumption.

PART #	RECEPTACLES		BREAKERS	
	QTY	TYPE	QTY	TYPE
RVPM1	1	15A GFI DUPLEX	1	15A 1P
RVPM2	2	15A GFI DUPLEX	2	15A 1P
RVPM3	1	15A GFI DUPLEX	1	15A 1P
	1	30A 125V CROWFOOT	1	30A 1P
RVPM4	1	15A GFI DUPLEX	1	15A 1P
	1	30A 125V CROWFOOT	1	30A 1P
	1	50A 125/250V	1	50A 2P
RVPM5	1	15A GFI DUPLEX	1	15A 1P
	1	50A 125/250V	1	50A 2P
RVPM6	1	20A GFI DUPLEX	1	20A 1P
RVPM7	2	20A GFI DUPLEX	2	20A 1P
RVPM8	1	20A GFI DUPLEX	1	20A 1P
	1	30A 125V CROWFOOT	1	30A 1P
RVPM9	1	20A GFI DUPLEX	1	20A 1P
	1	30A 125V CROWFOOT	1	30A 1P
	1	50A 125/250V	1	50A 2P
RVPM10	1	20A GFI DUPLEX	1	20A 1P
	1	50A 125/250V	1	50A 2P
RVPM11	1	30A 125V CROWFOOT	1	30A 1P
	1	50A 125/250V	1	50A 2P
RVPM14	1	30A 125V CROWFOOT	1	30A 1P
RVPM16	1	50A 125/250V	1	50A 2P
RVPM17	2	30A 125V CROWFOOT	2	30A 1P
RVPM18	2	50A 125/250V	2	50A 2P



Features/Specifications

- Galvanized steel construction
- Aluminum cap for additional corrosion protection
- CSA Type 3R rated
- Loop feed power termination lugs
- 10kAIR branch rated breaker protection
- While-in-Use padlock cover
- 100A meter socket
- PC113 Parks Green powder coat finish
- 34"H x 7"W x 5.25"D galvanized steel construction
- 10" X 10" base plate
- Standard splitter blocks #14-2/0

Optional Components

- Template and 4 anchor bolts, nuts & washers (P/N: PAB-RVPM)
- Top light
- Side light
- Photocell
- Low voltage section with cable telephone or network outlets
- Remote metering systems
- Custom lug configurations
- Custom powder coat colours including beige, grey and white

ADDITIONAL PART NUMBERS AND CONFIGURATIONS ON BACK

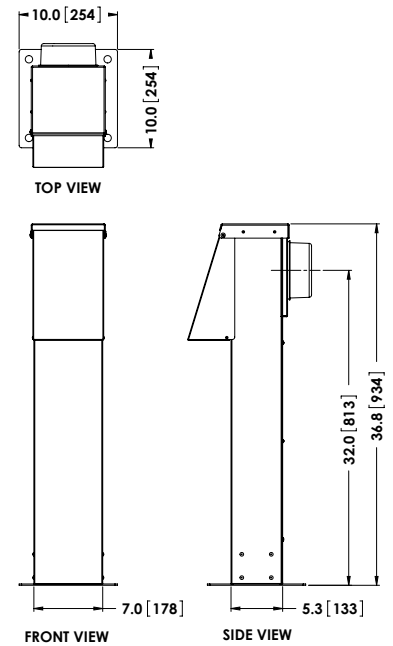
Rev 1.0



Advanced Technology. Simple Solutions.

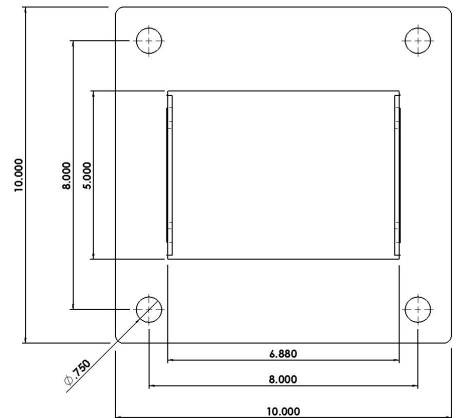
ALTERNATE RECEPTACLE CONFIGURATION (MAXIMUM 3) ADD TO PART NUMBER e.g. RVPM-AAM-PSV

RECEPTACLE	BREAKER	ADDER
15A DUPLEX GFI	15A 1P	A
20A DUPLEX GFI	20A 1P	B
15A DUPLEX	15A 1P	D
20A DUPLEX	20A 1P	E
15A TL 125V	15A 1P	F
20A TL 125V	20A 1P	G
30A CROWFOOT 125V	30A 1P	H
30A TL 125V	30A 1P	J
30A 125/250V	30A 2P	K
50A 125/250V	50A 2P	M
50A 125/250V TL	50A 2P	Q



ADDITIONAL COMPONENTS ADD TO PART NUMBER e.g. RVPM4-PSV

OPTIONS	ADDER
CUSTOM LUGS (UP TO 250 MCM FEED THRU)	L2
CUSTOM LUGS (UP TO 600 MCM FEED THRU)	L6
CUSTOM LUGS (OTHER CONFIGURATIONS)	LL
CABLE	C
TELEPHONE	V
NETWORK	N
TOP LIGHT	T
SIDE LIGHT	S
PHOTOCELL	P
SINGLE WATER FAUCET	W1
DOUBLE WATER FAUCET	W2



Rev 1.0