



Advanced Technology. Simple Solutions.

SHORT SERIES RV PEDESTAL WITH FLIP LID

RVS

This is the short version of our popular family of RV pedestals. It is a pad mount style providing the RV owner with a single power point and the convenience of a padlockable flip lid design.

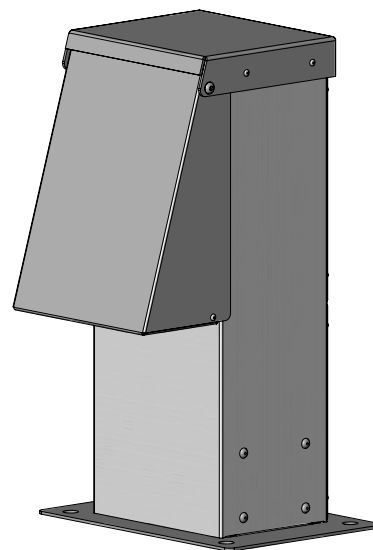
PART #	RECEPTACLES		BREAKERS	
	QTY	TYPE	QTY	TYPE
RVS1	1	15A GFI DUPLEX	1	15A 1P
RVS2	2	15A GFI DUPLEX	2	15A 1P
RVS3	1	15A GFI DUPLEX	1	15A 1P
	1	30A 125V CROWFOOT	1	30A 1P
RVS5	1	15A GFI DUPLEX	1	15A 1P
	1	50A 125/250V	1	50A 2P
RVS6	1	20A GFI DUPLEX	1	20A 1P
RVS7	2	20A GFI DUPLEX	2	20A 1P
RVS8	1	20A GFI DUPLEX	1	20A 1P
	1	30A 125V CROWFOOT	1	30A 1P
RVS10	1	20A GFI DUPLEX	1	20A 1P
	1	50A 125/250V	1	50A 2P
RVS11	1	30A 125V CROWFOOT	1	30A 1P
	1	50A 125/250V	1	50A 2P
RVS14	1	30A 125V CROWFOOT	1	30A 1P
RVS16	1	50A 125/250V	1	50A 2P
RVS17	2	30A 125V CROWFOOT	2	30A 1P
RVS18	2	50A 125/250V	2	50A 2P

Features/Specifications

- Galvanized steel construction
- Aluminum cap for additional corrosion protection
- CSA Type 3R rated
- 10kAIR branch rated breaker protection
- While-in-Use padlock cover
- PC113 Parks Green powder coat finish
- 18"H x 7"W x 5.25"D galvanized steel construction

Optional Items

- Template and 4 anchor bolts, nuts & washers (P/N: PAB-RVS)
- Top light
- Side light
- Photocell
- Custom powder coat colours including beige, grey and white



ADDITIONAL PART NUMBERS AND CONFIGURATIONS ON BACK

Rev 1.0



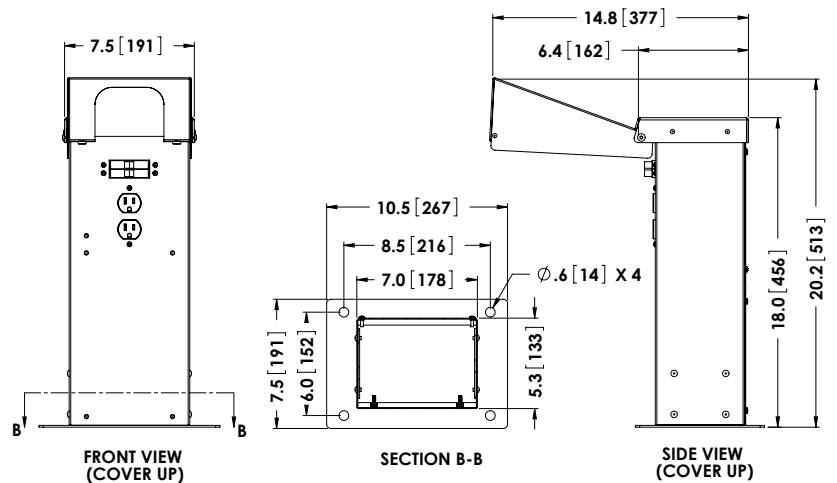
Advanced Technology. Simple Solutions.

**ALTERNATE RECEPTACLE CONFIGURATION (MAXIMUM 4)
ADD TO PART NUMBER e.g. RVS-AM-PT**

RECEPTACLE	BREAKER	ADDER
15A DUPLEX GFI	15A 1P	A
20A DUPLEX GFI	20A 1P	B
15A DUPLEX	15A 1P	D
20A DUPLEX	20A 1P	E
15A TL 125V	15A 1P	F
20A TL 125V	20A 1P	G
30A CROWFOOT 125V	30A 1P	H
30A TL 125V	30A 1P	J
30A 125/250V	30A 2P	K
50A 125/250V	50A 2P	M
50A 125/250V TL	50A 2P	Q

**ADDITIONAL COMPONENTS
ADD TO PART NUMBER e.g. RVS3-PT**

OPTIONS	ADDER
CABLE	C
TELEPHONE	V
NETWORK	N
TOP LIGHT	T
SIDE LIGHT	S
PHOTOCELL	P



TYPICAL RVS CONFIGURATION

Rev 1.0