



Advanced Technology. Simple Solutions.

# WALL AND POLE MOUNT PEDESTAL HEAD

## RVW

This is the wall/pole mount version of our popular family of RV pedestals. It provides the RV owner with a single power point. Its small physical size makes it easy to install and the flip lid provides superior weather protection.

| PART # | RECEPTACLES |                   | BREAKERS |        |
|--------|-------------|-------------------|----------|--------|
|        | QTY         | TYPE              | QTY      | TYPE   |
| RVW1   | 1           | 15A GFI DUPLEX    | 1        | 15A 1P |
| RVW2   | 2           | 15A GFI DUPLEX    | 2        | 15A 1P |
| RVW3   | 1           | 15A GFI DUPLEX    | 1        | 15A 1P |
|        | 1           | 30A 125V CROWFOOT | 1        | 30A 1P |
| RVW5   | 1           | 15A GFI DUPLEX    | 1        | 15A 1P |
|        | 1           | 50A 125/250V      | 1        | 50A 2P |
| RVW6   | 1           | 20A GFI DUPLEX    | 1        | 20A 1P |
| RVW7   | 2           | 20A GFI DUPLEX    | 2        | 20A 1P |
| RVW8   | 1           | 20A GFI DUPLEX    | 1        | 20A 1P |
|        | 1           | 30A 125V CROWFOOT | 1        | 30A 1P |
| RVW10  | 1           | 20A GFI DUPLEX    | 1        | 20A 1P |
|        | 1           | 50A 125/250V      | 1        | 50A 2P |
| RVW11  | 1           | 30A 125V CROWFOOT | 1        | 30A 1P |
|        | 1           | 50A 125/250V      | 1        | 50A 2P |
| RVW14  | 1           | 30A 125V CROWFOOT | 1        | 30A 1P |
| RVW16  | 1           | 50A 125/250V      | 1        | 50A 2P |
| RVW17  | 2           | 30A 125V CROWFOOT | 2        | 30A 1P |
| RVW18  | 2           | 50A 125/250V      | 2        | 50A 2P |

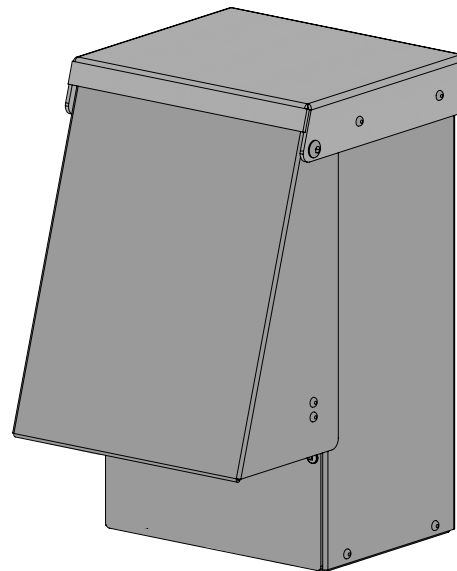
ADDITIONAL PART NUMBERS AND CONFIGURATIONS ON BACK

### Features/Specifications

- Galvanized steel construction
- Aluminum cap for additional corrosion protection
- CSA Type 3R rated
- 10kAIR branch rated breaker protection
- While-in-Use padlock cover
- PC113 Parks Green powder coat finish
- 12"H x 7"W x 5.25"D galvanized steel construction

### Optional Items

- Top light
- Photocell
- 48"H galvanized steel post
- Custom powder coat colours including beige, grey and white



Rev 1.0



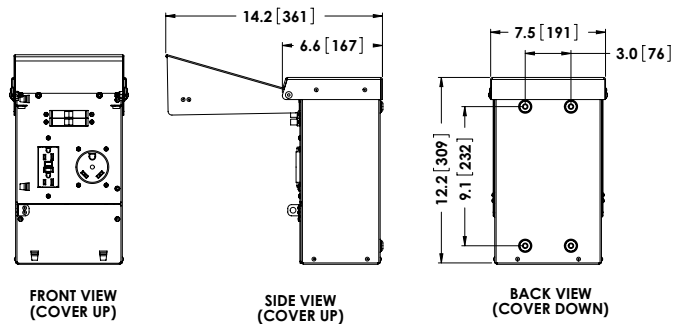
# Advanced Technology. Simple Solutions.

ALTERNATE RECEPTACLE CONFIGURATION (MAXIMUM 2)  
ADD TO PART NUMBER e.g. RVW-AM-PT

| RECEPTACLE        | BREAKER | ADDER |
|-------------------|---------|-------|
| 15A DUPLEX GFI    | 15A 1P  | A     |
| 20A DUPLEX GFI    | 20A 1P  | B     |
| 15A DUPLEX        | 15A 1P  | D     |
| 20A DUPLEX        | 20A 1P  | E     |
| 15A TL 125V       | 15A 1P  | F     |
| 20A TL 125V       | 20A 1P  | G     |
| 30A CROWFOOT 125V | 30A 1P  | H     |
| 30A TL 125V       | 30A 1P  | J     |
| 30A 125/250V      | 30A 2P  | K     |
| 50A 125/250V      | 50A 2P  | M     |
| 50A 125/250V TL   | 50A 2P  | Q     |

ADDITIONAL COMPONENTS  
ADD TO PART NUMBER e.g. RVW3-PT

| OPTIONS   | ADDER |
|-----------|-------|
| CABLE     | C     |
| TELEPHONE | V     |
| NETWORK   | N     |
| TOP LIGHT | T     |
| PHOTOCELL | P     |



TYPICAL RVW3 CONFIGURATION

Rev 1.0