

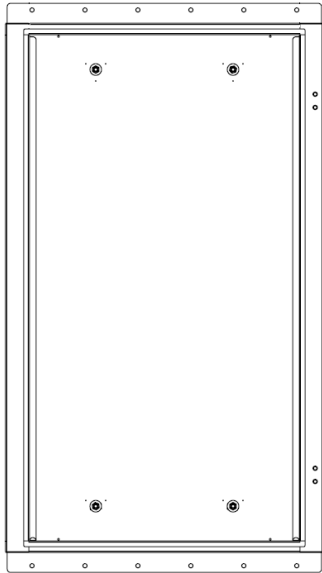


Advanced Technology. Simple Solutions.

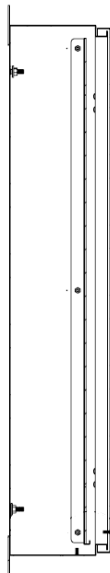
# Panelboard Enclosure - Type 4

## SPE4

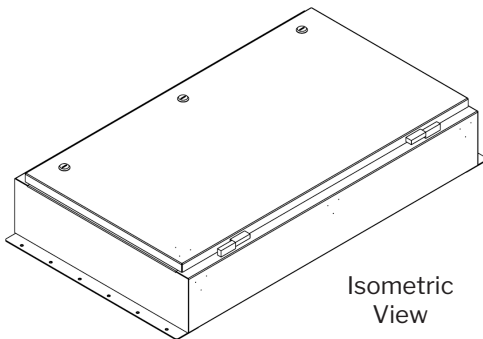
This family of enclosures are specifically designed to house the Schneider® NQ & NF main breaker & main lug panelboards for use in locations requiring waterproof protection. The panelboard is housed in the enclosure with the trim included inside the sealed outer door.



Front View  
(Lid Removed)



Side View  
(Lid Removed)



Isometric  
View

### Features/Specifications

- CSA Type 4 rated
- Steel Construction
- Quarter turn fastener(s) on door
- Gasketed hinged outer door with padlock attachment
- PC 101 grey powder coat finish

### Options

- Aluminum or stainless steel construction
- Drains and breathers
- Custom powder coat colours

PART NUMBER	DESCRIPTION - ACCOMODATES PANELBOARD TYPES:	H	W	D
SPE4-28-24-6.5	Main Breaker NF - 18 cct, 110A, 3 Phase, 4 Wire	28	24	6.5
	Main Lug NQ - 18 cct, 100A, Single Phase, 3 Wire	28	24	6.5
	Main Lug NQ - 18 cct, 100A, 3 Phase, 4 Wire	28	24	6.5
	Main Lug NF - 18 cct, 125A, 3 Phase, 4 Wire	28	24	6.5
SPE4-34-24-6.5	Main Breaker NF - 30 cct, 110A, 3 Phase, 4 Wire	34	25	6.5
	Main Lug NQ - 30 cct, 100A, Single Phase, 3 Wire	34	24	6.5
	Main Lug NQ - 30 cct, 225A, Single Phase, 3 Wire	34	24	6.5
	Main Lug NQ - 30 cct, 100A, 3 Phase, 4 wire	34	24	6.5
	Main Lug NF - 30 cct, 125A, 3 Phase, 4 Wire	34	24	6.5
SPE4-40-24-6.5	Main Lug NQ - 30 cct, 225A, 3 Phase, 4 Wire	34	24	6.5
	Main Breaker NQ - 18 cct, 100A, Single Phase, 3 Wire	40	24	6.5
	Main Breaker NQ - 18 cct, 100A, 3 Phase, 4 Wire	40	24	6.5
	Main Breaker NF - 18 cct, 100A, 3 Phase, 4 Wire	40	24	6.5
SPE4-46-24-6.5	Main Lug NQ - 42 cct, 225A, Single Phase, 3 Wire	40	24	6.5
	Main Lug NQ - 42 cct, 225A, 3 Phase, 4 Wire	40	24	6.5
	Main Breaker NQ - 30 cct, 100A, Single Phase, 3 Wire	46	24	6.5
	Main Breaker NQ - 30 cct, 225A, Single Phase, 3 Wire	46	24	6.5
	Main Breaker NQ - 30 cct, 100A, 3 Phase, 4 Wire	46	24	6.5
	Main Breaker NF - 30 cct, 100A, 3 Phase, 4 Wire	46	24	6.5
	Main Breaker NQ - 30 cct, 225A, 3 Phase, 4 Wire	46	24	6.5
	Main Lug NQ - 72 cct, 225A, Single Phase, 3 wire	46	24	6.5
SPE4-52-24-6.5	Main Lug NQ - 72 cct, 225A, 3 Phase, 4 Wire	46	24	6.5
	Main Lug NF - 42 cct, 250A, 3 Phase, 4 Wire	46	24	6.5
	Main Breaker NQ - 42 cct, 225A, Single Phase, 3 Wire	52	24	6.5
	Main Breaker NQ - 42 cct, 225A, 3 Phase, 4 Wire	52	24	6.5
	Main Breaker NF - 30 cct, 250A, 3 Phase, 4 Wire	52	24	6.5
	Main Lug NQ - 84 cct, 225A, Single Phase, 3 Wire	52	24	6.5
	Main Lug NQ - 30 cct, 400A, Single Phase, 3 Wire	52	24	6.5
	Main Lug NQ - 42 cct, 400A, Single Phase, 3 Wire	52	24	6.5
	Main Lug NQ - 84 cct, 225A, 3 Phase, 4 Wire	52	24	6.5
	Main Lug NQ - 30 cct, 400A, 3 Phase, 4 Wire	52	24	6.5
	Main Lug NQ - 30 cct, 400A, 3 Phase, 4 Wire	52	24	6.5
	Main Lug NF - 30 cct, 400A, 3 Phase, 4 Wire	52	24	6.5
SPE4-58-24-6.5	Main Lug NF - 30 cct, 600A, 3 Phase, 4 Wire	52	24	6.5
	Main Breaker NQ - 72 cct, 225A, Single Phase, 3 Wire	58	24	6.5
	Main Breaker NQ - 72 cct, 225A, 3 Phase, 4 Wire	58	24	6.5
	Main Breaker NF - 42 cct, 250A, 3 Phase, 4 Wire	58	24	6.5
SPE4-64-24-6.5	Main Lug NF - 42 cct, 600A, 3 Phase, 4 Wire	58	24	6.5
	Main Breaker NQ - 84 cct, 225A, Single Phase, 3 Wire	64	24	6.5
	Main Breaker NQ - 30 cct, 400A, Single Phase, 3 Wire	64	24	6.5
	Main Breaker NQ - 42 cct, 400A, Single Phase, 3 Wire	64	24	6.5
	Main Breaker NQ - 84 cct, 225A, 3 Phase, 4 Wire	64	24	6.5
	Main Breaker NQ - 30 cct, 400A, 3 Phase, 4 Wire	64	24	6.5
	Main Breaker NQ - 42 cct, 400A, 3 Phase, 4 Wire	64	24	6.5
	Main Breaker NF - 30 cct, 400A, 3 Phase, 4 Wire	64	24	6.5
	Main Lug NQ - 72 cct, 400A, 3 Phase, 4 Wire	64	24	6.5
	Main Lug NQ - 30 cct, 600A, 3 Phase, 4 Wire	64	24	6.5
SPE4-70-24-6.5	Main Lug NQ - 42 cct, 600A, 3 Phase, 4 Wire	64	24	6.5
	Main Lug NF - 66 cct, 250A, 3 Phase, 4 Wire	64	24	6.5
	Main Breaker NF - 42 cct, 400A, 3 Phase, 4 Wire	70	24	6.5
SPE4-76-24-6.5	Main Lug NQ - 84 cct, 400A, Single Phase, 3 Wire	70	24	6.5
	Main Lug NQ - 84 cct, 400A, 3 Phase, 4 Wire	70	24	6.5
	Main Breaker NQ - 72 cct, 400A, 3 Phase, 4 Wire	76	24	6.5
	Main Breaker NF - 66 cct, 250A, 3 Phase, 4 Wire	76	24	6.5
SPE4-82-24-6.5	Main Lug NF - 66 cct, 400A, 3 Phase, 4 Wire	76	24	6.5
	Main Lug NF - 66 cct, 600A, 3 Phase, 4 Wire	76	24	6.5
	Main Breaker NQ - 84 cct, 400A, 3 Phase, 4 Wire	82	24	6.5
SPE4-82-24-6.5	Main Lug NQ - 84 cct, 600A, 3 Phase, 4 Wire	82	24	6.5
	Main Lug NQ - 84 cct, 600A, 3 Phase, 4 Wire	82	24	6.5

Rev-1.1