

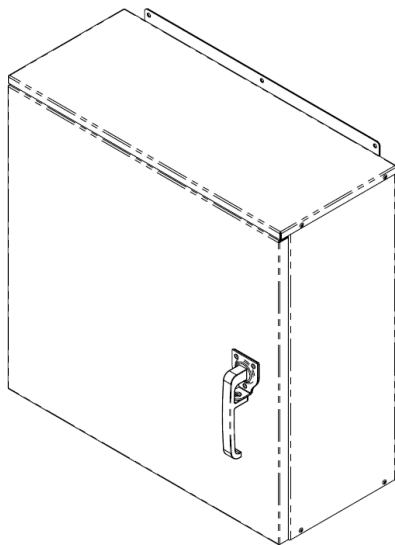
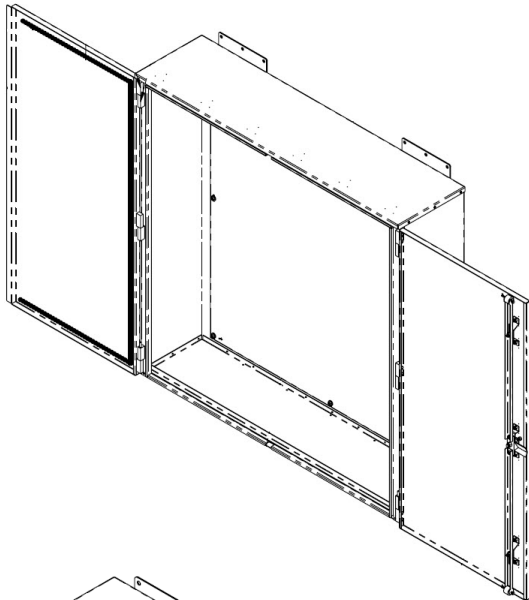


Advanced Technology. Simple Solutions.

WEATHERPROOF METER CABINETS WITH 3 POINT LATCH

SWM

The SWM meter cabinet is used in outdoor applications for protection of metering transformers from rain, sleet and snow. These enclosures are rated Type 3R and manufactured with galvanized steel for additional corrosion protection. Steel backpans are standard for ease of mounting equipment. The cabinets are finished with PC101 (ANSI 61) grey powder coat paint.



Features/Specifications

- Galvanized steel construction
- Pour in place gasket
- CSA Type 3R rated
- Wall mount ears top and bottom
- White steel backpan
- Drip cover
- Hinged door(s) with gasket
- Padlockable 3 point latch
- PC101 (ANSI 61) Grey powder coat finish
- Custom sizes, material and colour available

| PART NUMBER | HEIGHT | WIDTH | DEPTH | DOORS |
|-------------|--------|-------|-------|--------|
| SWM20208 | 20 | 20 | 8 | SINGLE |
| SWM202010 | 20 | 20 | 10 | SINGLE |
| SWM271310 | 27 | 13 | 10 | SINGLE |
| SWM302010 | 30 | 20 | 10 | SINGLE |
| SWM303010 | 30 | 30 | 10 | DOUBLE |
| SWM363612 | 36 | 36 | 12 | DOUBLE |
| SWM484810 | 48 | 48 | 10 | DOUBLE |
| SWM484812 | 48 | 48 | 12 | DOUBLE |

Rev-1