



Advanced Technology. Simple Solutions.

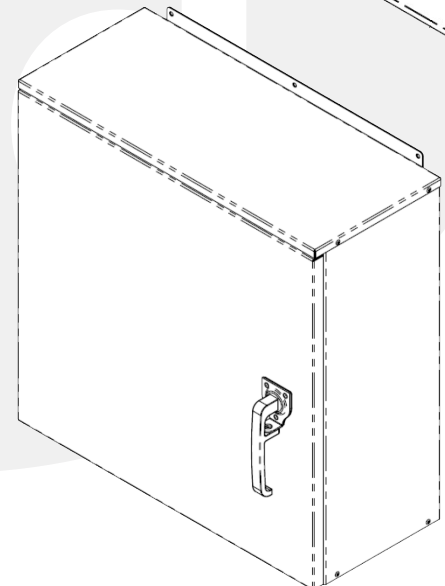
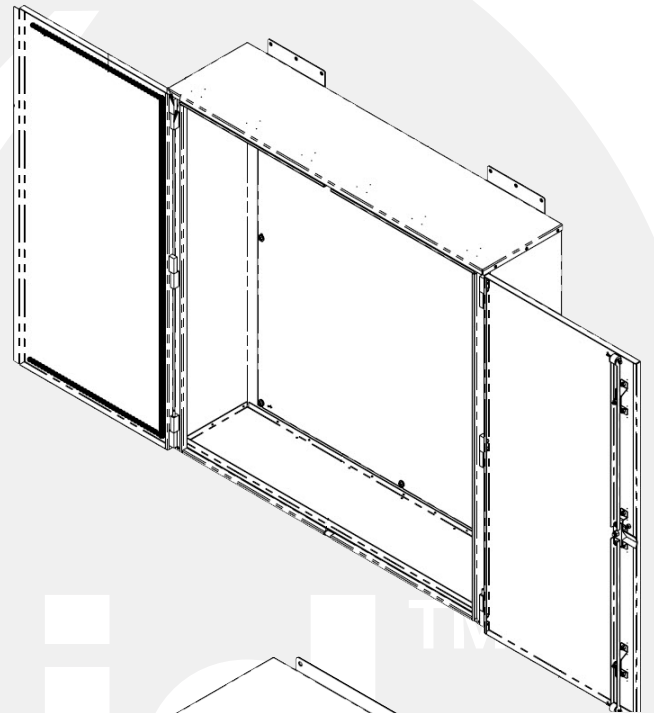
# WEATHERPROOF METER CABINETS WITH 3-POINT LATCH

## SWM

The SWM meter cabinet is used in outdoor applications for protection of metering transformers from rain, sleet, and snow. These enclosures are rated Type 3R and manufactured with galvanized steel for additional corrosion protection. Steel backpans are standard for ease of mounting equipment. The cabinets are powder coated with PC101 (ANSI 61) Grey.

### Features / Specifications

- Galvanized steel construction
- Pour-in-place gasket
- CSA Type 3R rated
- Top and bottom wall-mount ears
- White steel backpan
- Drip cover
- Hinged door(s) with gasket
- Padlockable 3-point latch
- PC101 (ANSI 61) Grey powder coat finish
- Custom sizes, material, and colour available



PART NUMBER	HEIGHT	WIDTH	DEPTH	DOORS
SWM20208	20 in	20 in	8 in	SINGLE
SWM202010	20 in	20 in	10 in	SINGLE
SWM271310	27 in	13 in	10 in	SINGLE
SWM302010	30 in	20 in	10 in	SINGLE
SWM303010	30 in	30 in	10 in	DOUBLE
SWM363612	36 in	36 in	12 in	DOUBLE
SWM484810	48 in	48 in	10 in	DOUBLE
SWM484812	48 in	48 in	12 in	DOUBLE