

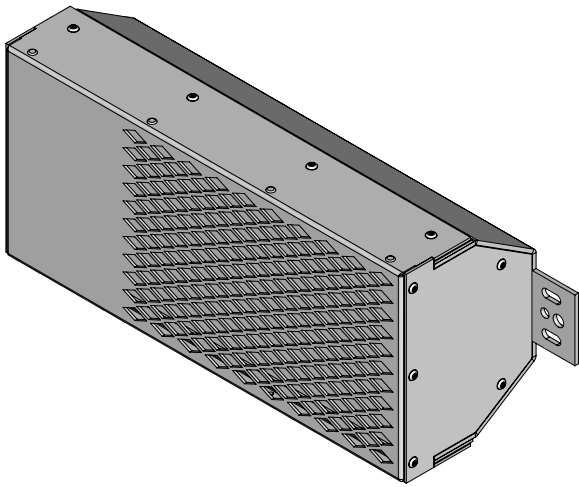


Advanced Technology. Simple Solutions.

# Tunnel Light Fixture

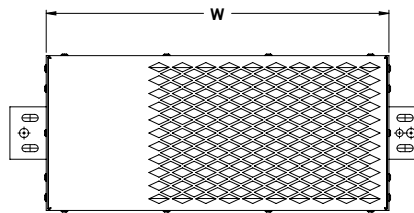
## TLF

This pedestrian tunnel light fixture is designed for the most demanding locations. It has a rugged outer steel guard and two layers of lexan polycarbonate lenses, all housed in a welded aluminum enclosure. The fixture will withstand vandalism while still allowing easy access to the lamp and ballast.

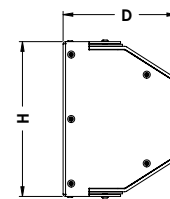


### Features/Specifications

- 4.5 mm aluminum construction
- 12 gauge steel guard
- 2 layers of lexan shield
- 70 watt HPS lamp and ballast
- Stainless security screws for end cap & gaurds
- Dual element lamp included
- 120/208/240/277V



FRONT VIEW



SIDE VIEW

PART NUMBER	HEIGHT	WIDTH	DEPTH
TLFA001	9.5"	21.25"	7"

Rev-1.1