



Advanced Technology. Simple Solutions.

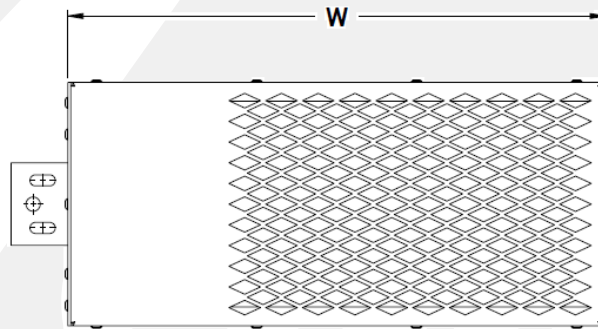
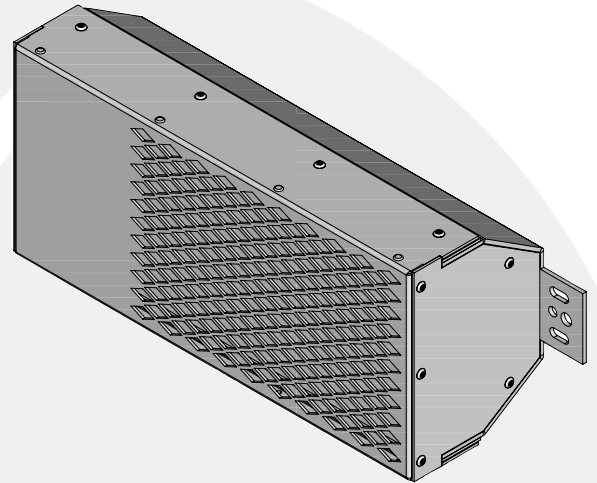
# TUNNEL LIGHT FIXTURE

## TLF

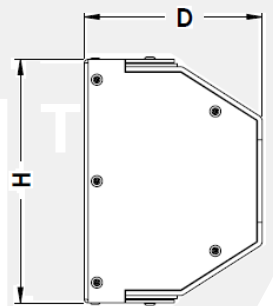
This pedestrian tunnel light fixture is designed for the most demanding locations. It has a rugged outer steel guard and two layers of Lexan polycarbonate lenses, all housed in a welded aluminum enclosure. The fixture can withstand vandalism and still allow easy access to the lamp and ballast.

### Features / Specifications

- 4.5-mm aluminum construction
- 12-gauge steel guard
- 2-layered Lexan shield
- 70W HPS lamp and ballast
- Stainless steel security screws for end cap and guards
- Dual element lamp included
- 120 / 208 / 240 / 277V



Front View



Side View

PART NUMBER	HEIGHT	WIDTH	DEPTH
TLFA001	9 1/2 in	21 1/4 in	7 in