

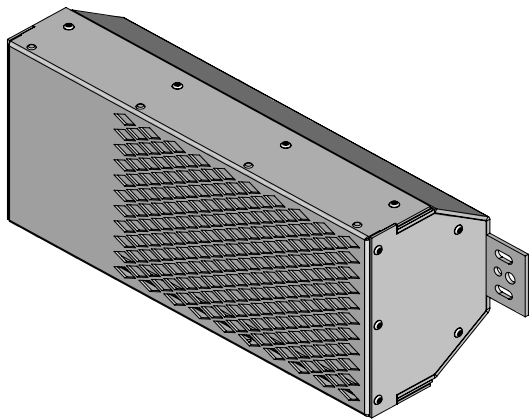


Advanced Technology. Simple Solutions.

LED Tunnel Light Fixture

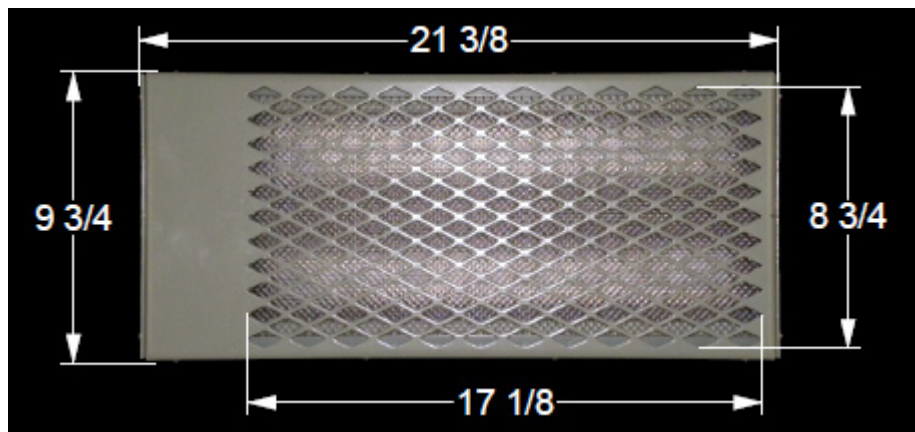
TLF-Lxx

This LED pedestrian tunnel light fixture is designed for the most demanding locations. It has a rugged outer steel guard and two layers of lexan polycarbonate lenses, all housed in a welded aluminum enclosure. The fixture will withstand vandalism while still allowing easy access to the lamp and ballast.



Features/Specifications

- 4.5 mm aluminum construction
- 12 gauge steel guard
- CSA Type 3R rated
- 2 layers of lexan shield
- (1) x 40W LED Power supply
- (2) x 16" LED fixtures with reflectors
- Stainless security screws for end cap & guards
- 10kA surge protection module



PART NUMBER	CONDUIT ENTRY
TLF-L00	NO CONDUIT HOLES
TLF-L01	ONE END ONLY
TLF-L11	BOTH ENDS

Rev-1.1