



Advanced Technology. Simple Solutions.

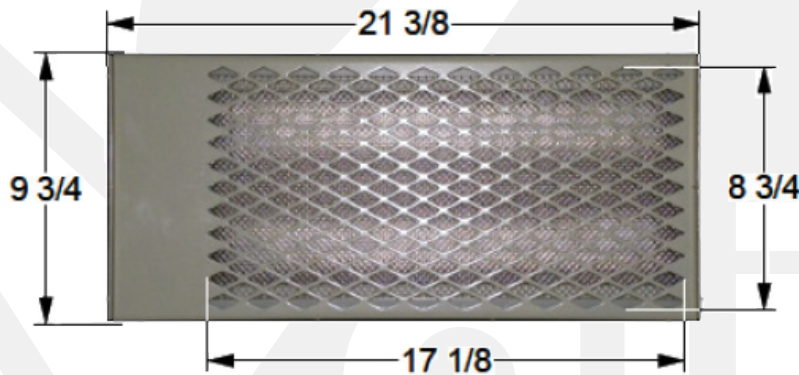
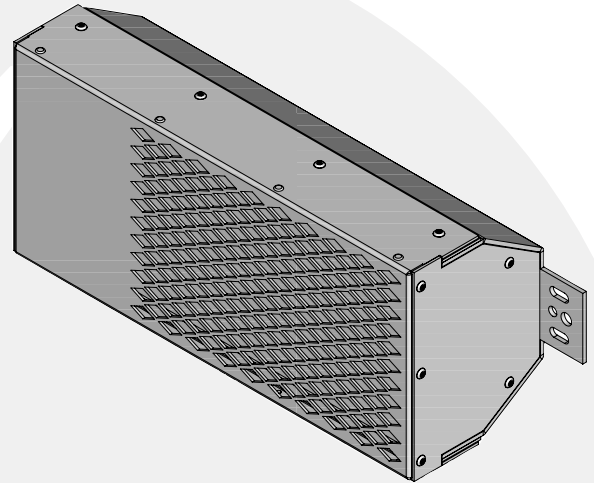
LED TUNNEL LIGHT FIXTURE

TLF-LXX

This pedestrian tunnel light fixture is designed for the most demanding locations. It has a rugged outer steel guard and two layers of Lexan polycarbonate lenses, all housed in a welded aluminum enclosure. The fixture can withstand vandalism and still allow easy access to the lamp and ballast.

Features / Specifications

- 4.5-mm aluminum construction
- 12-gauge steel guard
- 2-layered Lexan shield
- 1 x 40W LED power supply
- 2 x 16-in LED fixtures with reflectors
- Stainless steel security screws for end cap and guards
- 10kA surge protection module



Dimensions in Inches

PART NUMBER	CONDUIT ENTRY
TLF-L00	NO CONDUIT HOLES
TLF-L01	ONE END ONLY
TLF-L11	BOTH ENDS