

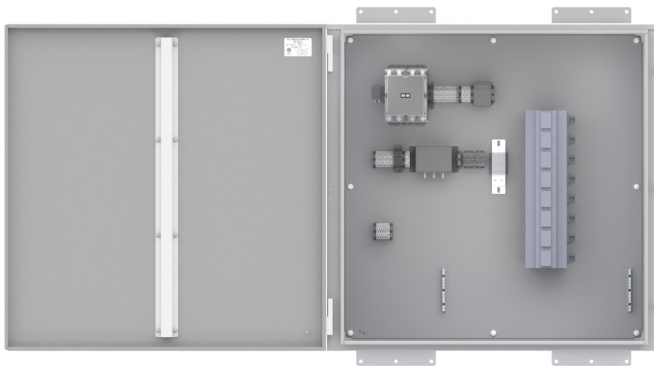


Advanced Technology. Simple Solutions.

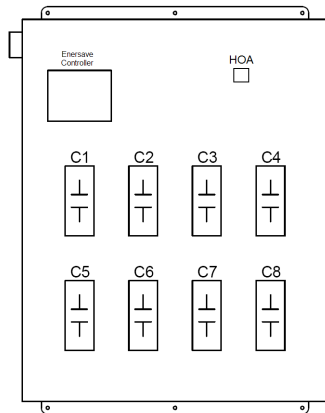
PARKING LOT CONTROLLER WITH ENERSAVE LOGIC & SECONDARY 3POLE CONTACTORS

VPC-DC

The VPC-DC Parking Lot Controller uses the Enersave logic to control multiple set points for parking lot applications. The weather proof design is ideal for outdoor use. Standard PC101 grey powder coat paint provides a durable finish. This line of Parking Lot Controller is designed to control the contactors on the secondary of the distribution where the distribution panel is located in a separate location.



PART NUMBER	CIRCUITS
VPC-DC-60-9	9
VPC-DC-60-12	12
VPC-DC-60-18	18
VPC-DC-60-24	24
VPC-DC-60-30	30
VPC-DC-60-36	36
VPC-DC-60-42	42



Optional Items

- Pad mount design
- Higher amperage ratings
- Single phase (120/240V)
- Time of day clock
- Aluminum or stainless steel construction
- CSA type 1, 4 or 4X rated
- Remote sensing thermostat
- Custom powder coat colours

Features/Specifications

- Steel construction
- CSA Type 3R rated
- Pad lockable draw latch(es)
- Enersave Temperature Controller with:
 - Up to (4) set points customer programmable temperature set points (recommended -5°C, -10°C, -15°C, -20°C)
 - Programmable number of set points
 - Duration of cycle
 - Supervisory Enable Signal
- Easy field configuration via jumper settings
- Standard 120/208V 3 Phase
- HOA switch to bypass logic
- Temperature sensing cable with weather proof cover
- 60A, 3Pole contactors
- Wall mounted enclosure
- PC101 Grey powder coat finish

Rev-1.1