



Advanced Technology. Simple Solutions.

WASTE RECEPTACLE DISTRIBUTION KIOSK

WRET

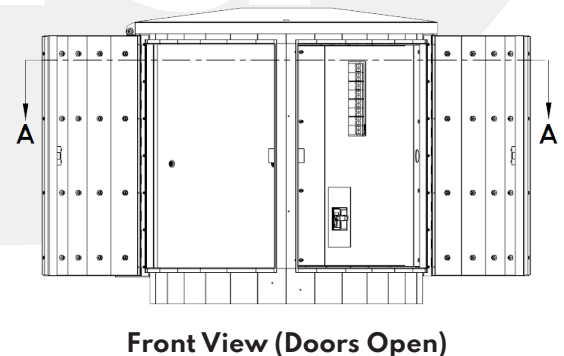
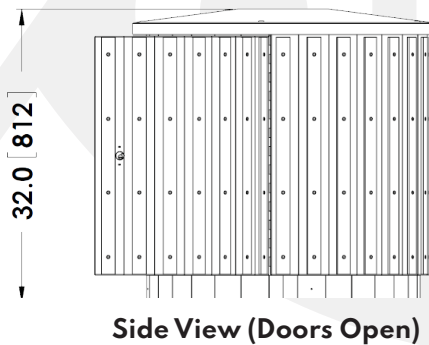
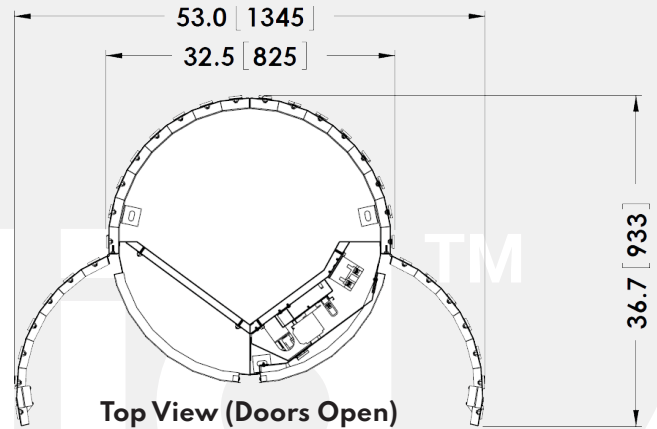
This waste receptacle kiosk offers the functionality of power distribution, communications, and control centre all concealed in an attractive receptacle design. It is used in public areas for control of decorative street, sports field or seasonal lighting, irrigation control, and other municipal applications.

Features / Specifications

- Steel construction
- CSA Type 3R rated
- Services up to 200A 3-phase
- Up to 18 cct panel 10 kAIC rated
- HOA control
- Communications / irrigation control section
- 28-gallon removable plastic waste receptacle
- Brass key locked entry doors
- Metered or unmetered options
- Thick aluminum bars used for each rib
- Hinged lid with chain stop
- Powder coat finish

Options

- Meter viewing window
- Contactors
- Test switch
- Lighting controller
- Photocell
- Time clock
- Irrigation controller



PART NUMBER	HEIGHT	WIDTH	DEPTH
WRET	32 in	32.5 in	32.5 in

Consult Valid for optional sizes and configurations.